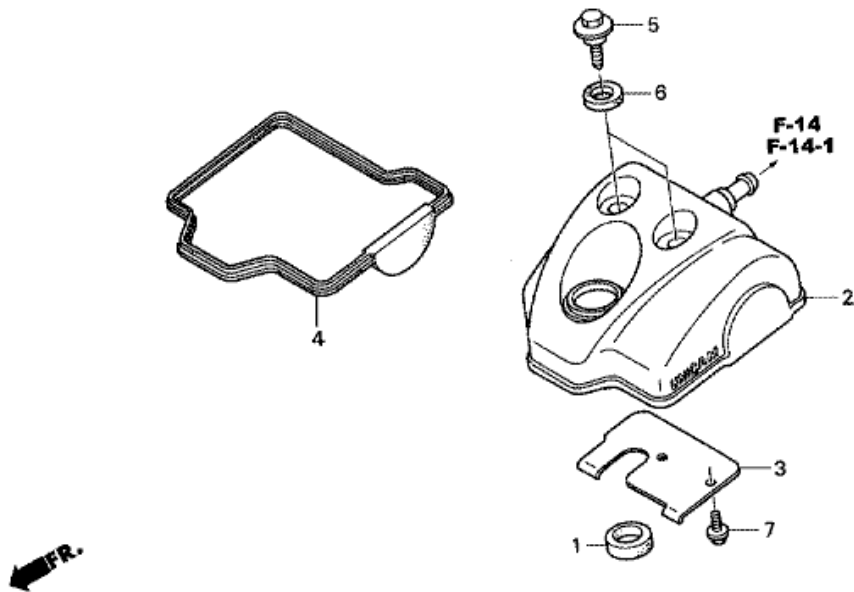


Reservdelskatalog CRF250R6



CRF250R CRF250R6 2006 ED EXTREME RED

E-1 CYLINDER HEAD COVER

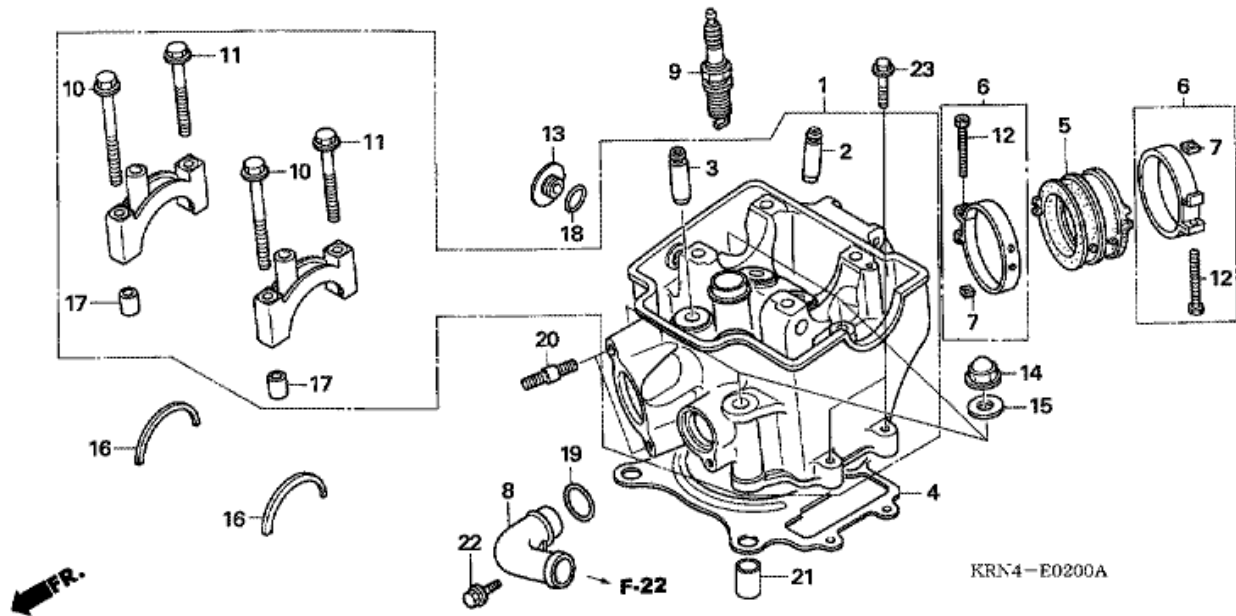


KRN4-E0100A

Refnr	Artikelnummer	Beskrivning	Antal	Best. antal	Rep.antal	Pris SEK
1	12226-MEB-670	SEAL, RING	001	0	0	34,87
2	12310-KRN-670	COVER COMP., CYLINDER HEAD	001	0	0	1040,25
3	12316-KRN-670	PLATE, BREATHER	001	0	0	42,09
4	12391-KRN-670	GASKET, HEAD COVER	001	0	0	111,00
5	90017-MY9-790	BOLT, HEAD COVER	002	0	0	24,98
6	90543-MV9-670	RUBBER, MOUNTING	002	0	0	24,05
7	96300-06012-00	BOLT, FLANGE, 6X12	002	0	0	8,23

CRF250R CRF250R6 2006 ED EXTREME RED

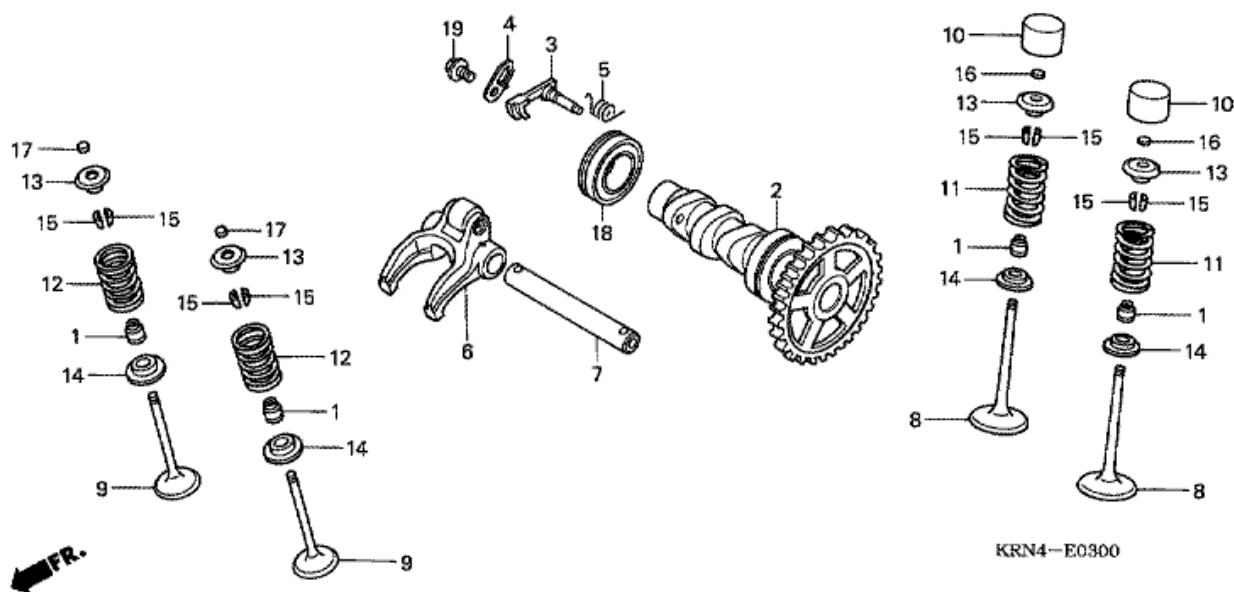
E-2 CYLINDER HEAD



Refnr	Artikelnummer	Beskrivning	Antal	Best. antal	Rep.antal	Pris SEK
1	12010-KRN-850	HEAD ASSY., CYLINDER	001	0	0	5467,03
2	12204-KRN-P00	GUIDE, IN. VALVE (O.S.)	002	0	0	102,12
3	12205-KRN-P00	GUIDE, EX. VALVE (O.S.)	002	0	0	102,12
4	12251-KRN-731	GASKET, CYLINDER HEAD	001	0	0	191,48
5	16211-KRN-850	INSULATOR, CARBURETOR	001	0	0	89,73
6	16218-MCJ-000	BAND B, INSULATOR	002	0	0	75,20
7	16222-MV4-300	NUT, SQUARE, 5MM	002	0	0	10,36
8	19523-KRN-730	JOINT, WATER	001	0	0	166,41
9	31911-KRN-731	PLUG, SPARK (R0409B-8) (NGK)	001	0	0	536,31
9	31912-KRN-731	PLUG, SPARK (R0409B-9) (NGK)	(1)	0	0	536,31
10	90001-KRN-670	BOLT, FLANGE, 7X60	002	0	0	34,13
11	90002-KRN-670	BOLT, FLANGE, 7X50	002	0	0	34,13
12	90005-MCJ-000	BOLT, RECESSED, 5X28	002	0	0	19,33
13	90084-MEN-670	CAP, 14MM	001	0	0	79,27
14	90232-MB6-680	NUT, CAP, 9MM	004	0	0	26,27
15	90401-KRN-670	WASHER, PLAIN, 9MM	004	0	0	26,73
16	90446-KRN-670	WASHER, CAMSHAFT THRUST	002	0	0	29,79
17	90701-MR7-000	DOWEL PIN, 9X14	004	0	0	20,63
18	91303-377-000	O-RING, 13.8X2.5	001	0	0	28,49
19	91312-KE7-003	O-RING, 19X3 (NOK)	001	0	0	13,69
20	92900-08022-0B	BOLT, STUD, 8X22	002	0	0	11,66
21	94301-12200	DOWEL PIN, 12X20	002	0	0	11,93
22	96001-06020-00	BOLT, FLANGE, 6X20	001	0	0	8,23
23	96001-06028-00	BOLT, FLANGE, 6X28	002	0	0	10,73

CRF250R CRF250R6 2006 ED EXTREME RED

E-3 CAMSHAFT/VALVE



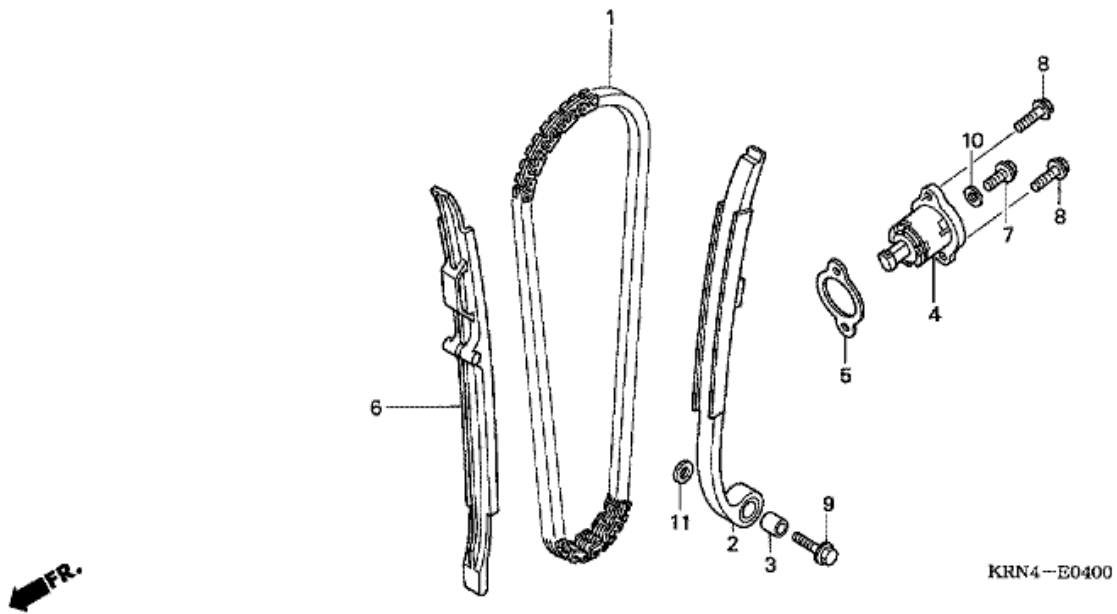
Refnr	Artikelnummer	Beskrivning	Antal	Best. antal	Rep.antal	Pris SEK
1	12209-GB4-681	SEAL, VALVE STEM (NOK)	004	0	0	37,37
2	14100-KRN-670	CAMSHAFT COMP.	001	0	0	2565,21
3	14102-KRN-670	WEIGHT, DECOMPRESSION	001	0	0	551,67
4	14105-KRN-670	PLATE, WEIGHT SETTING	001	0	0	35,71
5	14106-KRN-670	SPRING, DECOMPRESSION	001	0	0	21,09
6	14440-KRN-670	ARM COMP., EX. ROCKER	001	0	0	940,36
7	14451-KSC-671	SHAFT, EX. ROCKER ARM	001	0	0	220,24
8	14711-KRN-670	VALVE, IN.	002	0	0	673,68
9	14721-KRN-670	VALVE, EX.	002	0	0	364,27
10	14731-KRN-670	LIFTER, VALVE	002	0	0	299,05
11	14751-KRN-670	SPRING, IN. VALVE	002	0	0	50,78
12	14761-KRN-670	SPRING, EX. VALVE	002	0	0	60,77
13	14771-KRN-670	RETAINER, VALVE SPRING	004	0	0	45,79
14	14775-KRN-670	SEAT, VALVE SPRING	004	0	0	28,49
15	14781-MAT-000	COTTER, VALVE	008	0	0	22,57
16	14901-KT7-013	SHIM, TAPPET (1.200)	002	0	0	54,21
16	14902-KT7-013	SHIM, TAPPET (1.225)	002	0	0	54,21
16	14903-KT7-013	SHIM, TAPPET (1.250)	002	0	0	54,21
16	14904-KT7-013	SHIM, TAPPET (1.275)	002	0	0	54,21
16	14905-KT7-013	SHIM, TAPPET (1.300)	002	0	0	54,21
16	14906-KT7-013	SHIM, TAPPET (1.325)	002	0	0	54,21
16	14907-KT7-013	SHIM, TAPPET (1.350)	002	0	0	54,21
16	14908-KT7-013	SHIM, TAPPET (1.375)	002	0	0	54,21
16	14909-KT7-013	SHIM, TAPPET (1.400)	002	0	0	54,21
16	14910-KT7-013	SHIM, TAPPET (1.425)	002	0	0	54,21
16	14911-KT7-013	SHIM, TAPPET (1.450)	002	0	0	54,21
16	14912-KT7-013	SHIM, TAPPET (1.475)	002	0	0	54,21
16	14913-KT7-013	SHIM, TAPPET (1.500)	002	0	0	54,21
16	14914-KT7-013	SHIM, TAPPET (1.525)	002	0	0	54,21
16	14915-KT7-013	SHIM, TAPPET (1.550)	002	0	0	54,21

16	14916-KT7-013	SHIM, TAPPET (1.575)	002	0	0	54,21
16	14917-KT7-013	SHIM, TAPPET (1.600)	002	0	0	54,21
16	14918-KT7-013	SHIM, TAPPET (1.625)	002	0	0	54,21
16	14919-KT7-013	SHIM, TAPPET (1.650)	002	0	0	54,21
16	14920-KT7-013	SHIM, TAPPET (1.675)	002	0	0	54,21
16	14921-KT7-013	SHIM, TAPPET (1.700)	002	0	0	54,21
16	14922-KT7-013	SHIM, TAPPET (1.725)	002	0	0	54,21
16	14923-KT7-013	SHIM, TAPPET (1.750)	002	0	0	54,21
16	14924-KT7-013	SHIM, TAPPET (1.775)	002	0	0	54,21
16	14925-KT7-013	SHIM, TAPPET (1.800)	002	0	0	54,21
16	14926-KT7-013	SHIM, TAPPET (1.825)	002	0	0	54,21
16	14927-KT7-013	SHIM, TAPPET (1.850)	002	0	0	54,21
16	14928-KT7-013	SHIM, TAPPET (1.875)	002	0	0	54,21
16	14929-KT7-013	SHIM, TAPPET (1.900)	002	0	0	54,21
16	14930-KT7-013	SHIM, TAPPET (1.925)	002	0	0	54,21
16	14931-KT7-013	SHIM, TAPPET (1.950)	002	0	0	54,21
16	14932-KT7-013	SHIM, TAPPET (1.975)	002	0	0	54,21
16	14933-KT7-013	SHIM, TAPPET (2.000)	002	0	0	54,21
16	14934-KT7-013	SHIM, TAPPET (2.025)	002	0	0	54,21
16	14935-KT7-013	SHIM, TAPPET (2.050)	002	0	0	54,21
16	14936-KT7-013	SHIM, TAPPET (2.075)	002	0	0	54,21
16	14937-KT7-013	SHIM, TAPPET (2.100)	002	0	0	54,21
16	14938-KT7-013	SHIM, TAPPET (2.125)	002	0	0	54,21
16	14939-KT7-013	SHIM, TAPPET (2.150)	002	0	0	54,21
16	14940-KT7-013	SHIM, TAPPET (2.175)	002	0	0	54,21
16	14941-KT7-013	SHIM, TAPPET (2.200)	002	0	0	54,21
16	14942-KT7-013	SHIM, TAPPET (2.225)	002	0	0	54,21
16	14943-KT7-013	SHIM, TAPPET (2.250)	002	0	0	54,21
16	14944-KT7-013	SHIM, TAPPET (2.275)	002	0	0	54,21
16	14945-KT7-013	SHIM, TAPPET (2.300)	002	0	0	54,21
16	14946-KT7-013	SHIM, TAPPET (2.325)	002	0	0	54,21
16	14947-KT7-013	SHIM, TAPPET (2.350)	002	0	0	54,21
16	14948-KT7-013	SHIM, TAPPET (2.375)	002	0	0	54,21
16	14949-KT7-013	SHIM, TAPPET (2.400)	002	0	0	54,21
16	14950-KT7-013	SHIM, TAPPET (2.425)	002	0	0	54,21
16	14951-KT7-013	SHIM, TAPPET (2.450)	002	0	0	54,21
17	14901-KT7-013	SHIM, TAPPET (1.200)	002	0	0	54,21
17	14902-KT7-013	SHIM, TAPPET (1.225)	002	0	0	54,21
17	14903-KT7-013	SHIM, TAPPET (1.250)	002	0	0	54,21
17	14904-KT7-013	SHIM, TAPPET (1.275)	002	0	0	54,21
17	14905-KT7-013	SHIM, TAPPET (1.300)	002	0	0	54,21
17	14906-KT7-013	SHIM, TAPPET (1.325)	002	0	0	54,21
17	14907-KT7-013	SHIM, TAPPET (1.350)	002	0	0	54,21
17	14908-KT7-013	SHIM, TAPPET (1.375)	002	0	0	54,21
17	14909-KT7-013	SHIM, TAPPET (1.400)	002	0	0	54,21
17	14910-KT7-013	SHIM, TAPPET (1.425)	002	0	0	54,21
17	14911-KT7-013	SHIM, TAPPET (1.450)	002	0	0	54,21
17	14912-KT7-013	SHIM, TAPPET (1.475)	002	0	0	54,21
17	14913-KT7-013	SHIM, TAPPET (1.500)	002	0	0	54,21
17	14914-KT7-013	SHIM, TAPPET (1.525)	002	0	0	54,21
17	14915-KT7-013	SHIM, TAPPET (1.550)	002	0	0	54,21
17	14916-KT7-013	SHIM, TAPPET (1.575)	002	0	0	54,21
17	14917-KT7-013	SHIM, TAPPET (1.600)	002	0	0	54,21
17	14918-KT7-013	SHIM, TAPPET (1.625)	002	0	0	54,21
17	14919-KT7-013	SHIM, TAPPET (1.650)	002	0	0	54,21
17	14920-KT7-013	SHIM, TAPPET (1.675)	002	0	0	54,21
17	14921-KT7-013	SHIM, TAPPET (1.700)	002	0	0	54,21

17	14922-KT7-013	SHIM, TAPPET (1.725)	002	0	0	54,21
17	14923-KT7-013	SHIM, TAPPET (1.750)	002	0	0	54,21
17	14924-KT7-013	SHIM, TAPPET (1.775)	002	0	0	54,21
17	14925-KT7-013	SHIM, TAPPET (1.800)	002	0	0	54,21
17	14926-KT7-013	SHIM, TAPPET (1.825)	002	0	0	54,21
17	14927-KT7-013	SHIM, TAPPET (1.850)	002	0	0	54,21
17	14928-KT7-013	SHIM, TAPPET (1.875)	002	0	0	54,21
17	14929-KT7-013	SHIM, TAPPET (1.900)	002	0	0	54,21
17	14930-KT7-013	SHIM, TAPPET (1.925)	002	0	0	54,21
17	14931-KT7-013	SHIM, TAPPET (1.950)	002	0	0	54,21
17	14932-KT7-013	SHIM, TAPPET (1.975)	002	0	0	54,21
17	14933-KT7-013	SHIM, TAPPET (2.000)	002	0	0	54,21
17	14934-KT7-013	SHIM, TAPPET (2.025)	002	0	0	54,21
17	14935-KT7-013	SHIM, TAPPET (2.050)	002	0	0	54,21
17	14936-KT7-013	SHIM, TAPPET (2.075)	002	0	0	54,21
17	14937-KT7-013	SHIM, TAPPET (2.100)	002	0	0	54,21
17	14938-KT7-013	SHIM, TAPPET (2.125)	002	0	0	54,21
17	14939-KT7-013	SHIM, TAPPET (2.150)	002	0	0	54,21
17	14940-KT7-013	SHIM, TAPPET (2.175)	002	0	0	54,21
17	14941-KT7-013	SHIM, TAPPET (2.200)	002	0	0	54,21
17	14942-KT7-013	SHIM, TAPPET (2.225)	002	0	0	54,21
17	14943-KT7-013	SHIM, TAPPET (2.250)	002	0	0	54,21
17	14944-KT7-013	SHIM, TAPPET (2.275)	002	0	0	54,21
17	14945-KT7-013	SHIM, TAPPET (2.300)	002	0	0	54,21
17	14946-KT7-013	SHIM, TAPPET (2.325)	002	0	0	54,21
17	14947-KT7-013	SHIM, TAPPET (2.350)	002	0	0	54,21
17	14948-KT7-013	SHIM, TAPPET (2.375)	002	0	0	54,21
17	14949-KT7-013	SHIM, TAPPET (2.400)	002	0	0	54,21
17	14950-KT7-013	SHIM, TAPPET (2.425)	002	0	0	54,21
17	14951-KT7-013	SHIM, TAPPET (2.450)	002	0	0	54,21
17	14952-KT7-013	SHIM, TAPPET (2.475)	002	0	0	54,21
17	14953-KT7-013	SHIM, TAPPET (2.500)	002	0	0	54,21
17	14954-KT7-013	SHIM, TAPPET (2.525)	002	0	0	54,21
17	14955-KT7-013	SHIM, TAPPET (2.550)	002	0	0	54,21
17	14956-KT7-013	SHIM, TAPPET (2.575)	002	0	0	54,21
17	14957-KT7-013	SHIM, TAPPET (2.600)	002	0	0	54,21
17	14958-KT7-013	SHIM, TAPPET (2.625)	002	0	0	54,21
17	14959-KT7-013	SHIM, TAPPET (2.650)	002	0	0	54,21
17	14960-KT7-013	SHIM, TAPPET (2.675)	002	0	0	54,21
17	14961-KT7-013	SHIM, TAPPET (2.700)	002	0	0	54,21
17	14962-KT7-013	SHIM, TAPPET (2.725)	002	0	0	54,21
17	14963-KT7-013	SHIM, TAPPET (2.750)	002	0	0	54,21
17	14964-KT7-013	SHIM, TAPPET (2.775)	002	0	0	54,21
17	14965-KT7-013	SHIM, TAPPET (2.800)	002	0	0	54,21
17	14966-KT7-013	SHIM, TAPPET (2.825)	002	0	0	54,21
17	14967-KT7-013	SHIM, TAPPET (2.850)	002	0	0	54,21
17	14968-KT7-013	SHIM, TAPPET (2.875)	002	0	0	54,21
17	14969-KT7-013	SHIM, TAPPET (2.900)	002	0	0	54,21
18	91007-KRN-671	BEARING, BALL RADIAL, 6905	001	0	0	125,99
19	96001-06012-00	BOLT, FLANGE, 6X12	001	0	0	8,23

CRF250R CRF250R6 2006 ED EXTREME RED

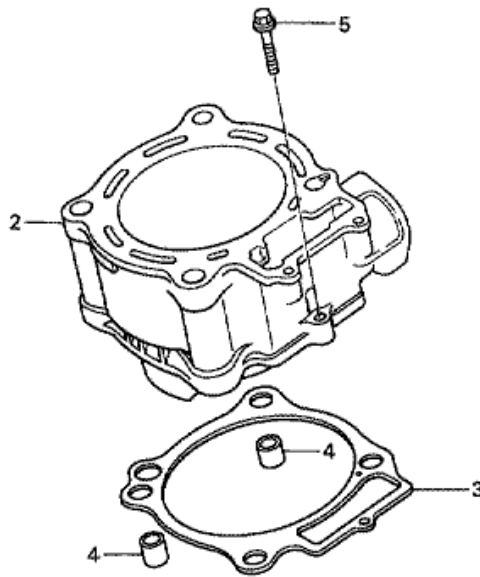
E-4 CAM CHAIN/TENSIONER



Refnr	Artikelnummer	Beskrivning	Antal	Best. antal	Rep.antal	Pris SEK
1	14401-KRN-671	CHAIN, CAM	001	0	0	394,51
2	14510-KRN-670	TENSIONER COMP., CAM CHAIN	001	0	0	400,25
3	14515-KFO-000	COLLAR, TENSIONER, 6X9	001	0	0	21,74
4	14520-KRN-671	LIFTER ASSY., TENSIONER	001	0	0	516,80
5	14560-MEN-671	GASKET, TENSIONER LIFTER	001	0	0	39,59
6	14620-KRN-670	GUIDE, CAM CHAIN	001	0	0	142,36
7	90004-GHB-600	BOLT, FLANGE, 6X10 (NSHF)	001	0	0	33,21
8	90004-GHB-630	BOLT, FLANGE, 6X16 (NSHF)	002	0	0	14,25
9	90088-MEB-670	BOLT, FLANGE, 6X25	001	0	0	18,78
10	90442-397-000	WASHER, SEALING, 6MM	001	0	0	5,09
11	90482-567-000	WASHER, SPECIAL, 6MM	001	0	0	7,03

CRF250R CRF250R6 2006 ED EXTREME RED

E-5 CYLINDER



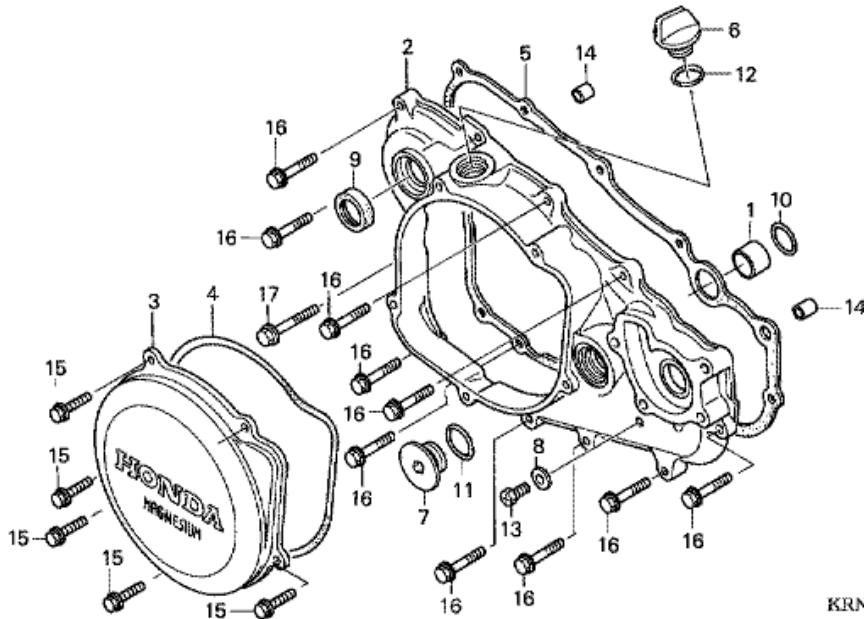
FR.

KRN4-E0500A

Refnr	Artikelnummer	Beskrivning	Antal	Best. antal	Rep.antal	Pris SEK
2	12100-KRN-730	CYLINDER	001	0	0	3363,49
3	12191-KRN-731	GASKET, CYLINDER	001	0	0	71,50
4	94301-12200	DOWEL PIN, 12X20	002	0	0	11,93
5	96001-06028-00	BOLT, FLANGE, 6X28	001	0	0	10,73

CRF250R CRF250R6 2006 ED EXTREME RED

E-6 R. CRANKCASE COVER



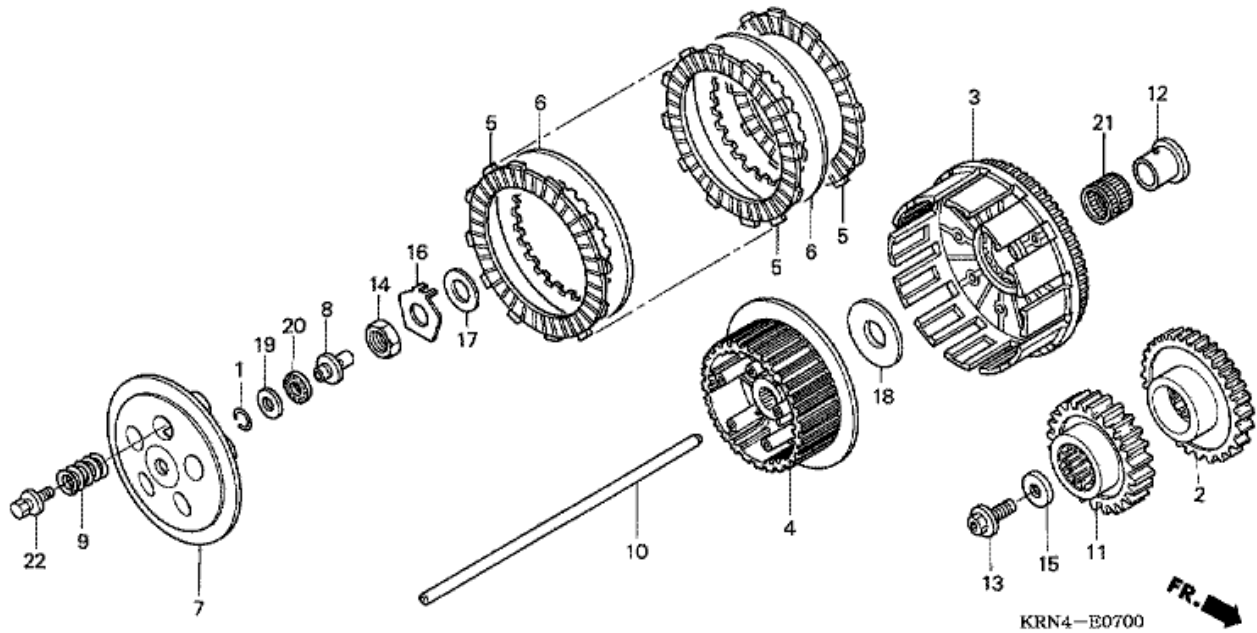
KRN4-E0600A



Refnr	Artikelnummer	Beskrivning	Antal	Best. antal	Rep.antal	Pris SEK
1	11102-KRN-670	COLLAR, WATER PASS, 16MM	001	0	0	29,23
2	11331-KRN-730	COVER, R. CRANKCASE	001	0	0	1356,05
3	11351-KRN-670	COVER, CLUTCH	001	0	0	622,90
4	11352-KRN-671	GASKET, CLUTCH COVER	001	0	0	57,63
5	11394-KRN-670	GASKET, R. COVER	001	0	0	143,93
6	15611-KA4-710	CAP, OIL FILLER	001	0	0	79,27
7	90087-KW3-000	CAP, 30MM	001	0	0	112,76
8	90463-ML7-000	WASHER, SEALING, 6.5MM	001	0	0	24,98
9	91205-KA3-712	OIL SEAL, 16.5X25X5 (NOK)	001	0	0	33,86
10	91304-MJ0-003	O-RING, 15.8X2.4 (SHOWA)	001	0	0	19,98
11	91305-KF0-003	O-RING, 27X2 (ARAI)	001	0	0	7,31
12	91307-035-000	O-RING, 18X3	001	0	0	12,30
13	92301-06010-0A	BOLT, RECESSED, 6X10	001	0	0	5,74
14	94301-08140	DOWEL PIN, 8X14	002	0	0	10,73
15	96001-06020-00	BOLT, FLANGE, 6X20	005	0	0	8,23
16	96001-06028-00	BOLT, FLANGE, 6X28	010	0	0	10,73
17	96001-06035-00	BOLT, FLANGE, 6X35	001	0	0	7,49

CRF250R CRF250R6 2006 ED EXTREME RED

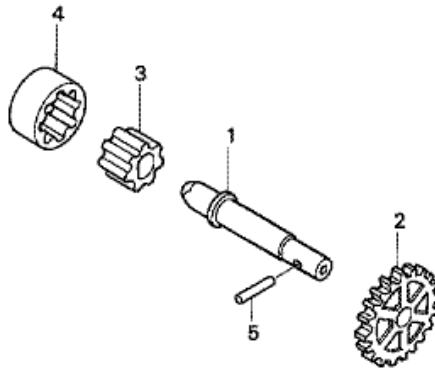
E-7 CLUTCH



Refnr	Artikelnummer	Beskrivning	Antal	Best. antal	Rep.ant	Pris SEK
1	13115-147-000	CLIP, PISTON PIN, 10MM	001	0	0	8,70
2	13415-KRN-670	GEAR, BALANCER DRIVE (32T)	001	0	0	509,03
3	22100-KRN-670	OUTER COMP., CLUTCH	001	0	0	2713,40
4	22120-KZ4-A90	CENTER, CLUTCH	001	0	0	628,54
5	22201-KRN-670	DISK, CLUTCH FRICTION	008	0	0	137,55
6	22321-KF0-770	PLATE, CLUTCH	007	0	0	73,45
7	22351-KZ4-A90	PLATE, CLUTCH PRESSURE	001	0	0	455,38
8	22352-KRN-670	PIECE, CLUTCH LIFTER	001	0	0	161,41
9	22401-KRN-730	SPRING, CLUTCH	005	0	0	42,00
10	22850-KZ4-A90	ROD, CLUTCH LIFTER	001	0	0	99,35
11	23121-KRN-670	GEAR, PRIMARY DRIVE (18T)	001	0	0	444,56
12	28237-KZ4-A10	COLLAR, CLUTCH OUTER	001	0	0	175,01
13	90013-MEB-670	BOLT, SPECIAL, 12X28	001	0	0	82,14
14	90235-KA4-000	NUT, 18MM	001	0	0	40,33
15	90402-KW6-960	WASHER, PLAIN, 12MM	001	0	0	50,04
16	90441-HA2-670	WASHER, LOCK, 18MM	001	0	0	26,27
17	90456-KA4-000	WASHER, THRUST, 18X32	001	0	0	17,85
18	90456-KS6-000	WASHER, THRUST, 20MM	001	0	0	51,80
19	90608-072-000	WASHER, 12MM	001	0	0	46,81
20	91001-147-003	BEARING, NEEDLE, 12MM (NTN)	001	0	0	53,56
21	91011-KS6-003	BEARING, NEEDLE, 25X29X22 (TOYO)	001	0	0	160,86
22	93404-06020-08	BOLT-WASHER, 6X20	005	0	0	8,23

CRF250R CRF250R6 2006 ED EXTREME RED

E-8 OIL PUMP

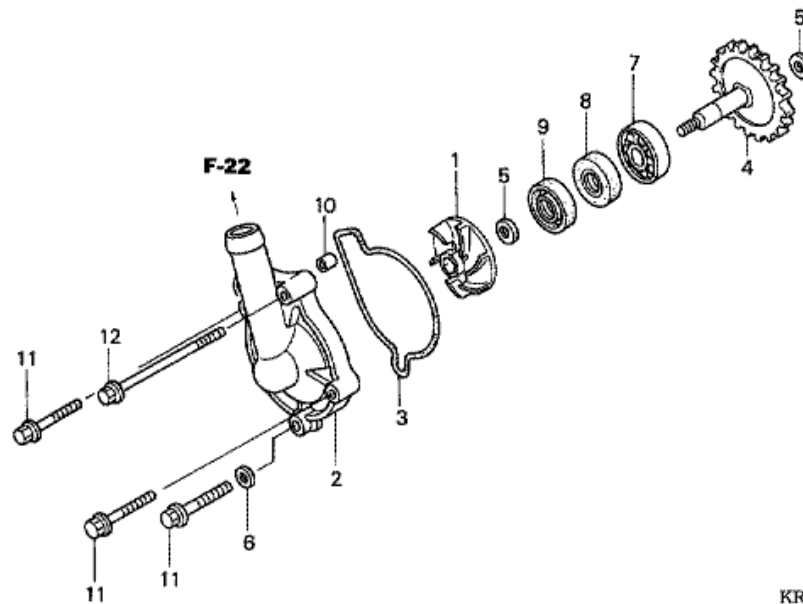


KRN4-E0800

Refnr	Artikelnummer	Beskrivning	Antal	Best. antal	Rep.antal	Pris SEK
1	15111-KRN-670	SHAFT, OIL PUMP	001	0	0	210,53
2	15133-KRN-670	GEAR, OIL PUMP DRIVEN (18T)	001	0	0	239,39
3	15331-324-000	ROTOR, OIL PUMP INNER	001	0	0	68,27
4	15332-324-000	ROTOR, OIL PUMP OUTER	001	0	0	88,99
5	96220-30178	ROLLER, 3X17.8	001	0	0	5,27

CRF250R CRF250R6 2006 ED EXTREME RED

E-9 WATER PUMP

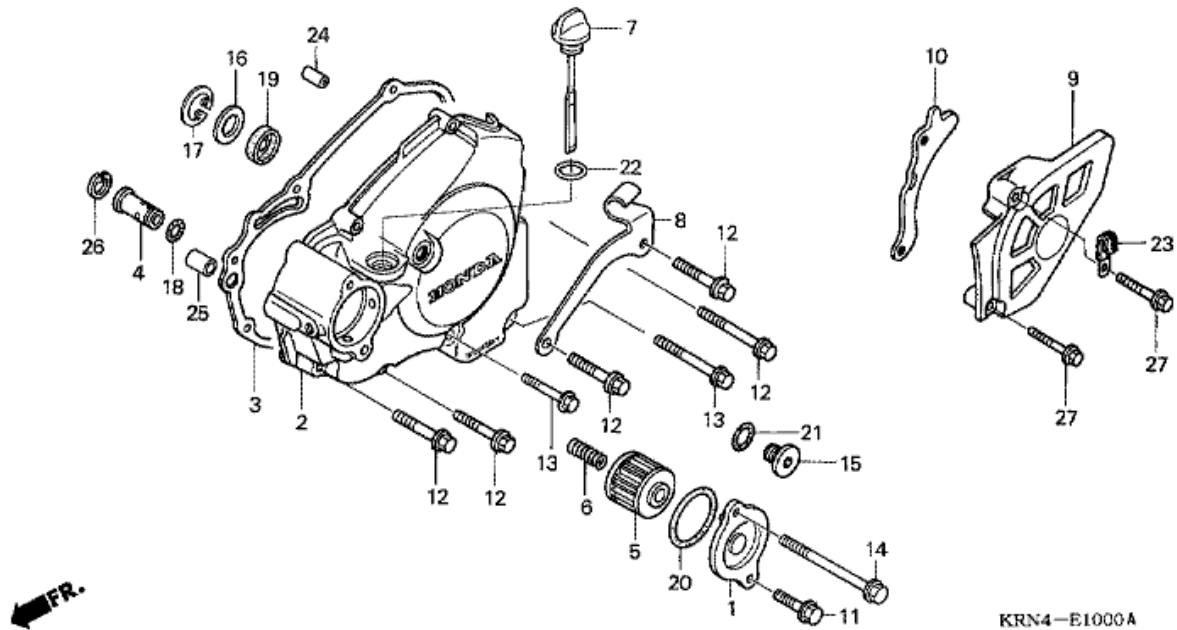


KRN4-E0900

Refnr	Artikelnummer	Beskrivning	Antal	Best. antal	Rep.antal	Pris SEK
1	19215-KRN-670	IMPELLER, WATER PUMP	001	0	0	225,33
2	19221-KRN-670	COVER, WATER PUMP	001	0	0	456,67
3	19226-KRN-670	GASKET, WATER PUMP	001	0	0	30,80
4	19240-KRN-670	GEAR COMP., WATER PUMP (22T)	001	0	0	483,96
5	90447-KE1-000	WASHER, SEALING, 7MM	002	0	0	18,59
6	90463-ML7-000	WASHER, SEALING, 6.5MM	001	0	0	24,98
7	91001-KA4-003	BEARING, RADIAL BALL, 12X28X7 (NTN)	001	0	0	121,82
8	91201-148-003	OIL SEAL, 12X22X5 (ARAI)	001	0	0	27,20
9	91211-KRN-671	SEAL, WATER PUMP	001	0	0	48,38
10	91320-KE1-000	DOWEL PIN	001	0	0	23,22
11	96001-06028-00	BOLT, FLANGE, 6X28	003	0	0	10,73
12	96001-06070-00	BOLT, FLANGE, 6X70	001	0	0	9,25

CRF250R CRF250R6 2006 ED EXTREME RED

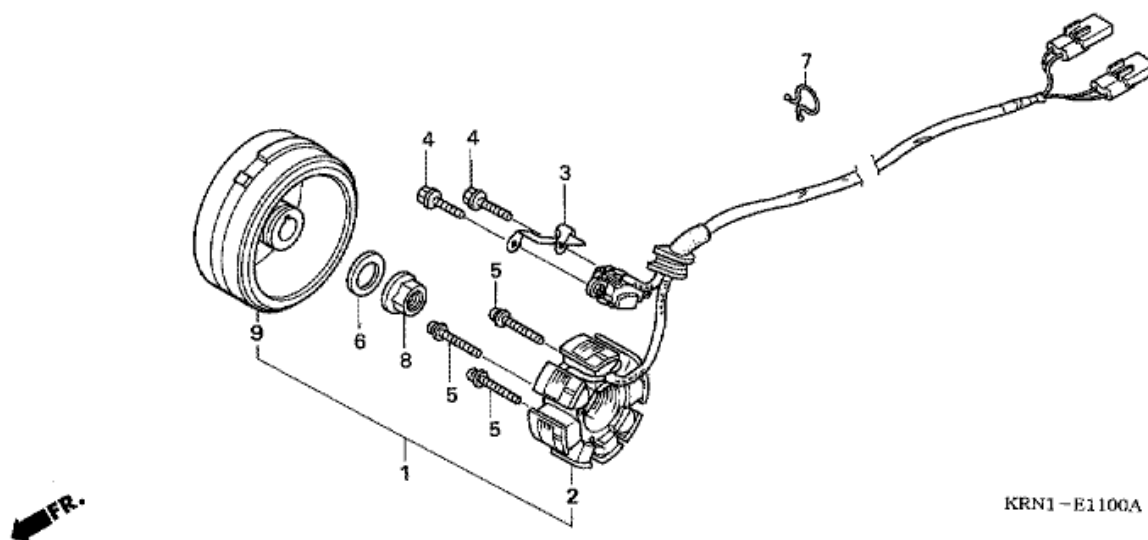
E-10 L. CRANKCASE COVER



Refnr	Artikelnummer	Beskrivning	Antal	Best. antal	Rep.antal	Pris SEK
1	11333-KRN-670	COVER, OIL FILTER	001	0	0	224,78
2	11340-KRN-670	COVER COMP., L. CRANKCASE	001	0	0	1683,87
3	11395-KRN-670	GASKET, L. COVER	001	0	0	77,98
4	15220-MEB-770	VALVE ASSY., RELIEF	001	0	0	174,36
5	15412-MEN-671	FILTER COMP., ENGINE OIL	001	0	0	128,85
6	15414-MEB-670	SPRING, OIL FILTER	001	0	0	26,08
7	15650-KRN-670	GAUGE, OIL LEVEL	001	0	0	108,69
8	22838-KRN-670	RECEIVER, CLUTCH CABLE	001	0	0	99,25
9	23810-KRN-670	COVER COMP., DRIVE SPROCKET	001	0	0	159,01
10	23812-KRN-670	GUIDE, DRIVE CHAIN	001	0	0	69,65
11	90004-GHB-630	BOLT, FLANGE, 6X16 (NSHF)	001	0	0	14,25
12	90004-GHB-690	BOLT, FLANGE, 6X32 (NSHF)	005	0	0	15,73
13	90004-GHB-710	BOLT, FLANGE, 6X40 (NSHF)	002	0	0	16,47
14	90004-GHB-780	BOLT, FLANGE, 6X75 (NSHF)	001	0	0	36,72
15	90084-MEN-670	CAP, 14MM	001	0	0	79,27
16	90451-459-770	WASHER, THRUST, 13MM	001	0	0	14,34
17	90602-MEB-670	CIRCLIP, SPECIAL INTERNAL, 24MM	001	0	0	21,09
18	90751-GK1-003	O-RING, 8.5X1.7	001	0	0	9,71
19	91204-KRN-671	OIL SEAL, 10X21X5	001	0	0	33,30
20	91302-PA9-003	O-RING, 39.8X2.2 (ARAI)	001	0	0	33,49
21	91303-377-000	O-RING, 13.8X2.5	001	0	0	28,49
22	91307-035-000	O-RING, 18X3	001	0	0	12,30
23	91410-679-000	CLIP, 2X60	001	0	0	46,71
24	94301-08140	DOWEL PIN, 8X14	001	0	0	10,73
25	94301-10160	DOWEL PIN, 10X16	001	0	0	12,67
26	94520-14000	CIRCLIP, INTERNAL, 14MM	001	0	0	3,98
27	96001-06030-07	BOLT, FLANGE, 6X30	002	0	0	9,71

CRF250R CRF250R6 2006 ED EXTREME RED

E-11 GENERATOR

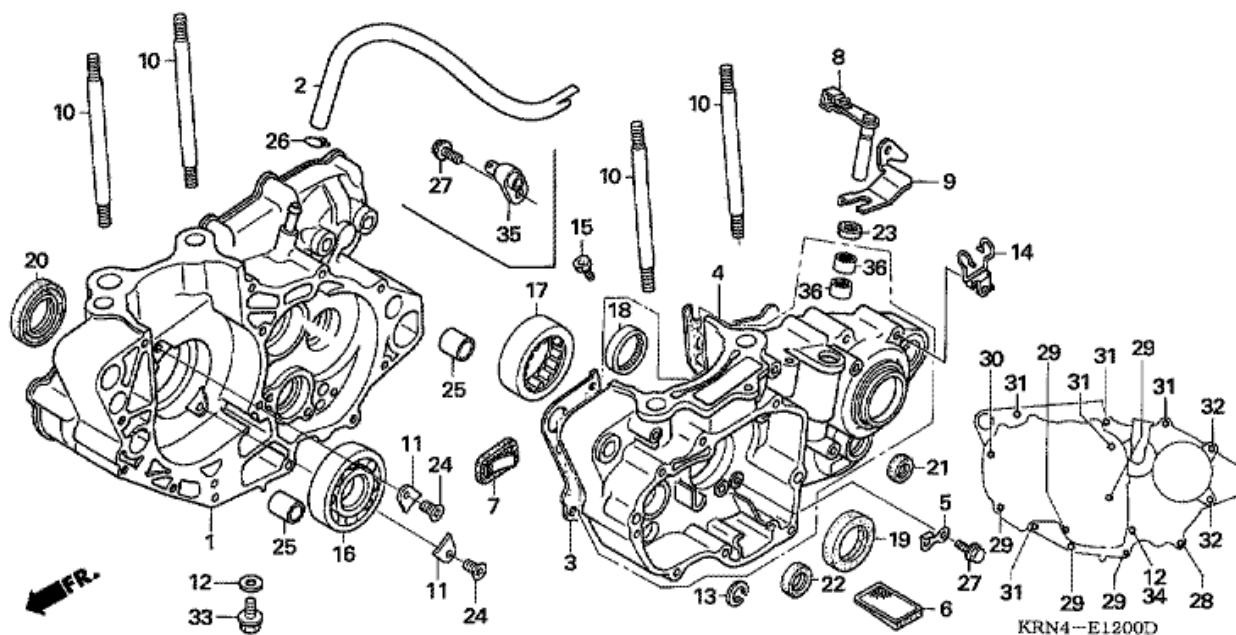


KRN1-E1100A

Refnr	Artikelnummer	Beskrivning	Antal	Best. antal	Rep.antal	Pris SEK
1	31100-KRN-670	GENERATOR ASSY., A.C.	001	0	0	4234,19
2	31120-KRN-670	STATOR COMP.	001	0	0	2262,74
3	32112-KRN-670	CLAMPER, CORD	001	0	0	35,52
4	90005-896-000	BOLT, FLANGE, 5X16	002	0	0	12,21
5	90010-MEB-670	SCREW-WASHER, 4X24	003	0	0	7,31
6	90437-611-000	WASHER, PLAIN, 12MM	001	0	0	13,60
7	90630-751-000	CLIP, PURSE LOCK	001	0	0	25,44
8	94050-12000	NUT, FLANGE, 12MM	001	0	0	11,93
9	31110-KRN-670	FLYWHEEL COMP.	001	0	0	3627,48

CRF250R CRF250R6 2006 ED EXTREME RED

E-12 CRANKCASE

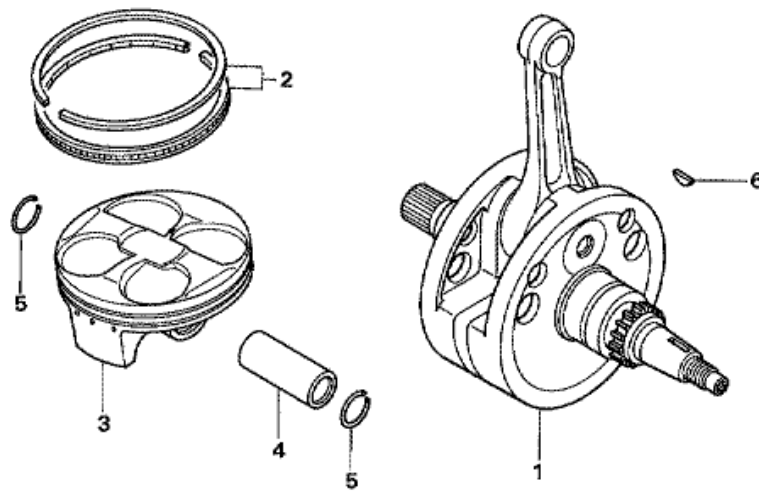


Refnr	Artikelnummer	Beskrivning	Antal	Best. antal	Rep.antal	Pris SEK
1	11100-KRN-850	CRANKCASE COMP., R.	001	0	0	3063,32
2	11105-KRN-670	TUBE, BREATHER	001	0	0	74,83
3	11191-KRN-850	GASKET, CRANKCASE	001	0	0	133,11
4	11200-KRN-850	CRANKCASE COMP., L.	001	0	0	3465,98
5	11206-KRN-670	PLATE, CAM CHAIN GUIDE	001	0	0	25,72
6	15421-KK0-000	SCREEN, OIL FILTER	001	0	0	66,14
7	18601-MBW-003	VALVE COMP., REED	001	0	0	131,07
8	22810-KRN-730	LEVER COMP., CLUTCH LIFTER	001	0	0	266,77
10	90031-KRN-670	BOLT, STUD, 10X135	004	0	0	75,20
11	90441-KRN-670	PLATE, BEARING HOLDER	002	0	0	24,24
12	90474-333-000	WASHER, SEALING, 8MM	002	0	0	22,29
13	90604-MEB-670	CIRCLIP, SPECIAL, 33MM	001	0	0	29,69
14	90610-MEB-670	GUIDE COMP., TUBE	001	0	0	86,21
16	91001-KRN-671	BEARING, RADIAL BALL, 30X72X16	001	0	0	242,91
17	91002-KRN-851	BEARING, SPECIAL ROLLER	001	0	0	440,95
18	91022-KA4-740	BEARING, SHELL, 33X38X8 (NTN)	001	0	0	105,08
19	91201-MEB-671	OIL SEAL, 38X52X7 (ARAI)	001	0	0	121,27
20	91202-MEY-671	OIL SEAL, 39X56X7.5 (ARAI)	001	0	0	121,27
21	91203-KA4-771	OIL SEAL, 14X22X5 (NOK)	001	0	0	39,50
22	91203-MEB-671	OIL SEAL, 20X33X5 (ARAI)	001	0	0	44,77
23	91205-MEB-671	OIL SEAL, 12X18X3 (ARAI)	001	0	0	29,51
24	90001-MEN-850	SCREW, SPECIAL FLAT, 6X17	002	0	0	14,43
25	94301-14200	DOWEL PIN, 14X20	002	0	0	11,93
26	95002-02100	CLIP, TUBE (B10)	001	0	0	4,90
27	96001-06012-00	BOLT, FLANGE, 6X12	002	0	0	8,23
28	96001-06040-00	BOLT, FLANGE, 6X40	001	0	0	9,99
29	96001-06045-00	BOLT, FLANGE, 6X45	005	0	0	11,66
30	96001-06060-00	BOLT, FLANGE, 6X60	001	0	0	11,66
31	96001-06070-00	BOLT, FLANGE, 6X70	005	0	0	9,25
32	96001-06075-00	BOLT, FLANGE, 6X75	002	0	0	9,71

33	96300-08025-00	BOLT, FLANGE, 8X25	001	0	0	8,23
34	96300-08070-00	BOLT, FLANGE, 8X70	001	0	0	12,95
35	11210-KRN-730	JET COMP., PISTON, #80	001	0	0	206,65
36	91053-719-005	BEARING, NEEDLE, 12X16X10 (NTN)	002	0	0	216,45

CRF250R CRF250R6 2006 ED EXTREME RED

E-13 CRANKSHAFT/PISTON



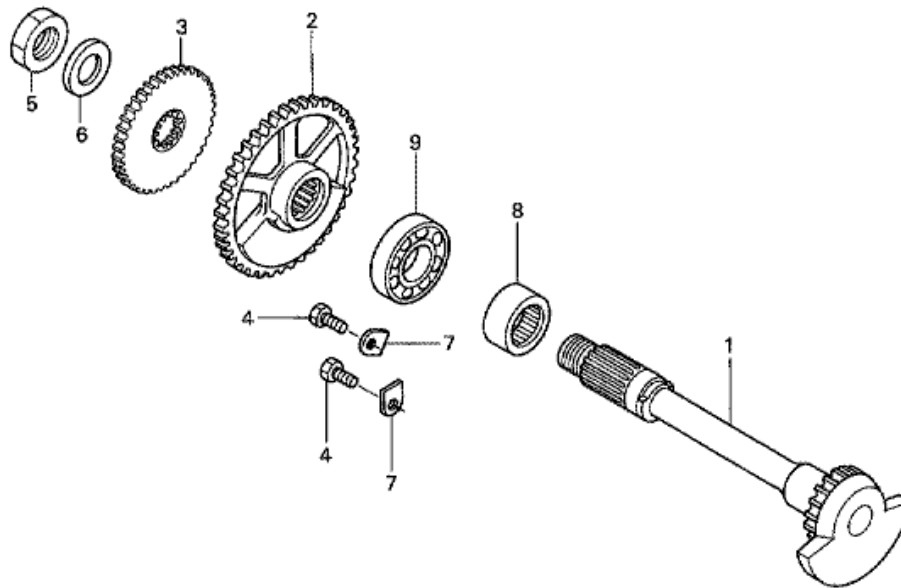
←FR.

KRN4-E1300A

Refnr	Artikelnummer	Beskrivning	Antal	Best. antal	Rep.antal	Pris SEK
1	13000-KRN-850	CRANKSHAFT COMP.	001	0	0	5041,62
2	13011-KRN-850	RING SET, PISTON (STD.)	001	0	0	556,94
3	13101-KRN-850	PISTON	001	0	0	509,40
4	13111-KRN-850	PIN, PISTON	001	0	0	173,07
5	13115-KM7-700	CLIP, PISTON PIN, 16MM	002	0	0	16,10
6	13331-360-000	KEY, SPECIAL WOODRUFF, 25X14	001	0	0	23,59

CRF250R CRF250R6 2006 ED EXTREME RED

E-14 BALANCER

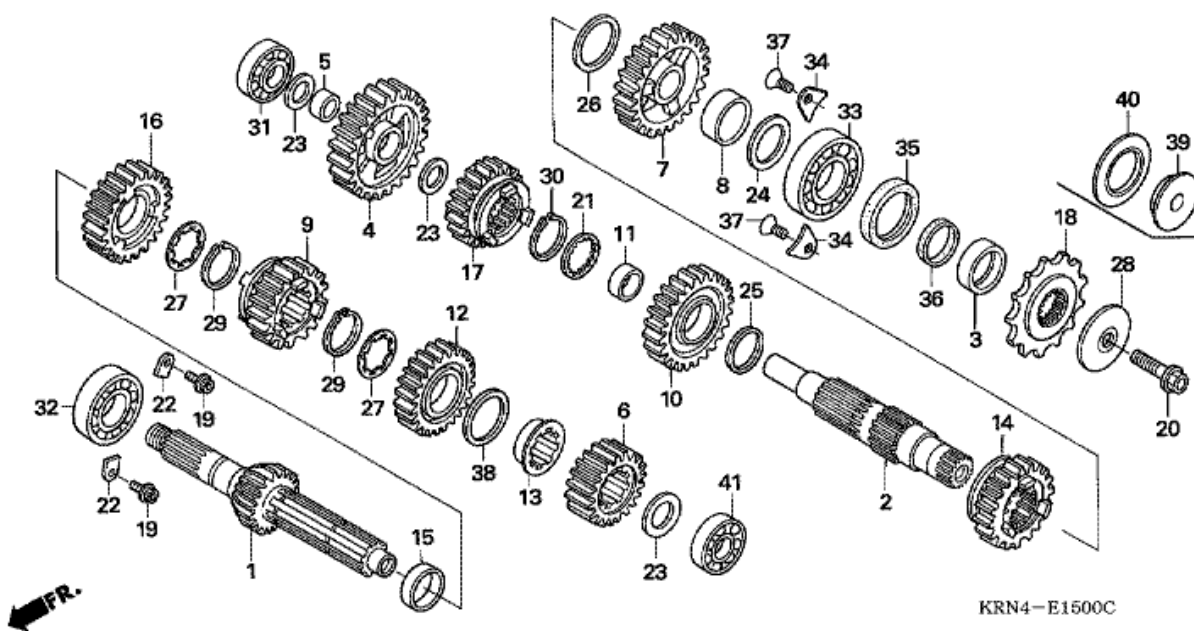


KRN4-E1400

Refnr	Artikelnummer	Beskrivning	Antal	Best. antal	Rep.antal	Pris SEK
1	13420-KRN-670	SHAFT COMP., BALANCER	001	0	0	1428,11
2	13422-KRN-670	GEAR, BALANCER DRIVEN (32T)	001	0	0	407,19
3	19245-KRN-670	GEAR, WATER PUMP DRIVE (19T)	001	0	0	225,33
4	90038-KY4-900	BOLT, HEX., 6X16	002	0	0	9,53
5	90204-MN5-000	NUT, HEX., 14MM	001	0	0	26,27
6	90433-KE1-000	WASHER, 14MM	001	0	0	6,48
7	90441-KA4-700	PLATE, BEARING HOLDER	002	0	0	19,52
8	91004-MEB-671	BEARING, SPECIAL ROLLER, 20X32X14	001	0	0	106,19
9	91005-MEB-671	BEARING, RADIAL BALL, 6003 TMB	001	0	0	77,42

CRF250R CRF250R6 2006 ED EXTREME RED

E-15 TRANSMISSION

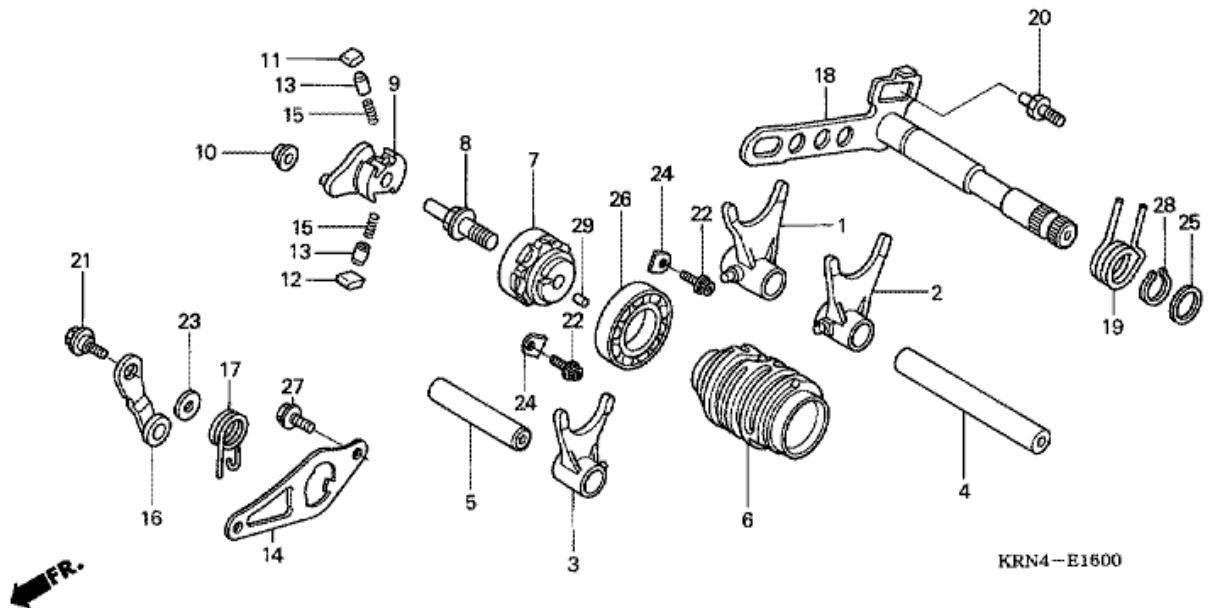


Refnr	Artikelnummer	Beskrivning	Antal	Best. antal	Rep.antal	Pris SEK
1	23210-KRN-670	MAINSHAFT COMP. (14T)	001	0	0	1383,52
2	23221-KRN-730	SHAFT, COUNTER	001	0	0	1071,06
3	23225-KSC-670	COLLAR, COUNTERSHAFT	001	0	0	111,83
4	23411-KRN-670	GEAR, COUNTERSHAFT LOW (30T)	001	0	0	582,94
5	23413-KZ4-J00	COLLAR, 17MM	001	0	0	72,43
6	23421-KRN-670	GEAR, MAINSHAFT SECOND (16T)	001	0	0	298,50
7	23431-KRN-670	GEAR, COUNTERSHAFT SECOND (28T)	001	0	0	553,15
8	23432-KRN-730	COLLAR, 24MM	001	0	0	67,06
9	23441-KRN-670	GEAR, MAINSHAFT THIRD (20T)	001	0	0	605,60
10	23451-KRN-670	GEAR, COUNTERSHAFT THIRD (29T)	001	0	0	553,15
11	23452-KSC-670	COLLAR, COUNTERSHAFT THIRD GEAR	001	0	0	85,93
12	23461-KRN-670	GEAR, MAINSHAFT FOURTH (22T)	001	0	0	537,33
13	23462-KZ4-J00	COLLAR, MAINSHAFT FOURTH GEAR	001	0	0	117,48
14	23471-KRN-670	GEAR, COUNTERSHAFT FOURTH (27T)	001	0	0	605,60
15	23472-KZ4-000	COLLAR, 20MM	001	0	0	72,43
16	23481-KRN-670	GEAR, MAINSHAFT FIFTH (24T)	001	0	0	523,18
17	23491-KRN-670	GEAR, COUNTERSHAFT FIFTH (25T)	001	0	0	635,57
18	23801-KSR-A00	SPROCKET, DRIVE (13T)	001	0	0	175,66
19	90071-MF5-000	BOLT, FLANGE SOCKET, 6X14	002	0	0	33,21
20	90112-413-000	BOLT, UBS, 8X33	001	0	0	38,76
21	90404-KW3-000	WASHER, THRUST INVOLUTE, 22X21X1	001	0	0	8,05
22	90441-KA4-700	PLATE, BEARING HOLDER	002	0	0	19,52
23	90446-357-000	WASHER, THRUST, 17.2MM	003	0	0	48,38
24	90453-KSR-A00	WASHER, 22X32X1.5	001	0	0	23,50
25	90452-KZ4-000	WASHER, THRUST, 22X30X1	001	0	0	25,07
26	90452-KSR-A00	WASHER, 24X32X1	001	0	0	26,92
27	90461-444-000	WASHER, SPLINE, 20MM	002	0	0	31,45
29	90601-360-000	SET RING, 20MM	002	0	0	40,33
30	90602-360-000	SET RING, 22MM	001	0	0	18,22
31	91001-KZ4-J11	BEARING, RADIAL BALL, 17X35X10	001	0	0	165,76

32	91004-KSC-671	BEARING, RADIAL BALL, 22X47X14	001	0	0	143,93
33	91005-KRN-851	BEARING, RADIAL BALL, 22X47X14	001	0	0	77,42
34	91012-KA3-710	PLATE, COUNTERSHAFT BEARING	002	0	0	31,91
35	91201-KSR-A01	OIL SEAL, 28X37X7	001	0	0	74,00
36	91301-KSR-A01	D-RING, 22MM	001	0	0	25,07
37	93600-06010-0H	SCREW, FLAT, 6X10	002	0	0	3,98
38	90401-KZ4-J00	WASHER, THRUST, 23.1X28X1	001	0	0	17,85
39	23802-KSC-670	COLLAR, DRIVE SPROCKET	001	0	0	146,15
40	90501-KSC-670	WASHER, SPRING, 24MM	001	0	0	51,62
41	91006-KRN-851	BEARING, RADIAL BALL, 17X36X10	001	0	0	0,00

CRF250R CRF250R6 2006 ED EXTREME RED

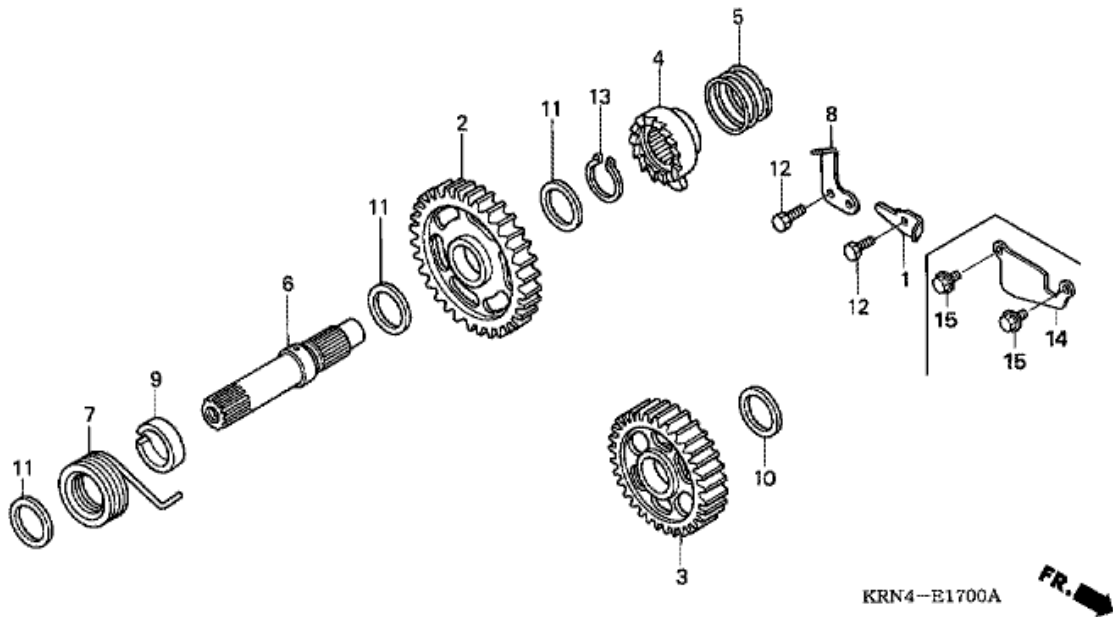
E-16 GEARSHIFT DRUM



Refnr	Artikelnummer	Beskrivning	Antal	Best. antal	Rep.antal	Pris SEK
1	24211-KRN-730	FORK, R. GEARSHIFT	001	0	0	502,18
2	24221-KRN-730	FORK, L. GEARSHIFT	001	0	0	502,18
3	24231-KRN-730	FORK, CENTER GEARSHIFT	001	0	0	502,18
4	24241-KSC-670	SHAFT A, SHIFT FORK	001	0	0	212,20
5	24242-KSC-670	SHAFT B, SHIFT FORK	001	0	0	189,07
6	24311-KSC-670	DRUM, GEARSHIFT	001	0	0	488,40
7	24312-KA3-741	CENTER, GEARSHIFT DRUM	001	0	0	351,13
8	24315-HA0-000	PIN, SHIFTER	001	0	0	68,27
9	24321-KZ4-620	SHIFTER, DRUM	001	0	0	324,40
10	24322-MM4-000	COLLAR, SHIFTER	001	0	0	21,37
11	24324-KA3-711	PAWL A, RATCHET	001	0	0	53,56
12	24325-KA3-711	PAWL B, RATCHET	001	0	0	53,56
13	24326-KBH-901	PLUNGER, PAWL	002	0	0	33,30
14	24328-KRN-670	PLATE, GUIDE	001	0	0	90,56
15	24329-KA3-740	SPRING, PAWL PLUNGER	002	0	0	16,10
16	24430-KA3-740	STOPPER COMP., DRUM	001	0	0	117,48
17	24435-KZ4-690	SPRING, DRUM STOPPER	001	0	0	26,92
18	24610-KRN-730	SPINDLE COMP., GEARSHIFT	001	0	0	494,88
19	24651-MEB-670	SPRING, GEARSHIFT RETURN	001	0	0	24,79
20	24652-HA0-000	PIN, GEARSHIFT RETURN SPRING	001	0	0	32,93
21	90022-MG8-000	PIVOT, SHIFT DRUM STOPPER ARM	001	0	0	8,05
22	90071-MF5-000	BOLT, FLANGE SOCKET, 6X14	002	0	0	33,21
23	90435-HB3-000	WASHER, 6.1MM	001	0	0	21,74
24	90441-KA4-700	PLATE, BEARING HOLDER	002	0	0	19,52
25	90451-155-000	WASHER, 14MM	001	0	0	11,01
26	91004-KY4-900	BEARING, RADIAL BALL, 6905U	001	0	0	103,51
27	93301-06016-0A	BOLT, HEX., 6X16	002	0	0	4,90
28	94510-14000	CIRCLIP, EXTERNAL, 14MM	001	0	0	4,90
29	96220-40080	ROLLER, 4X8	001	0	0	4,90

CRF250R CRF250R6 2006 ED EXTREME RED

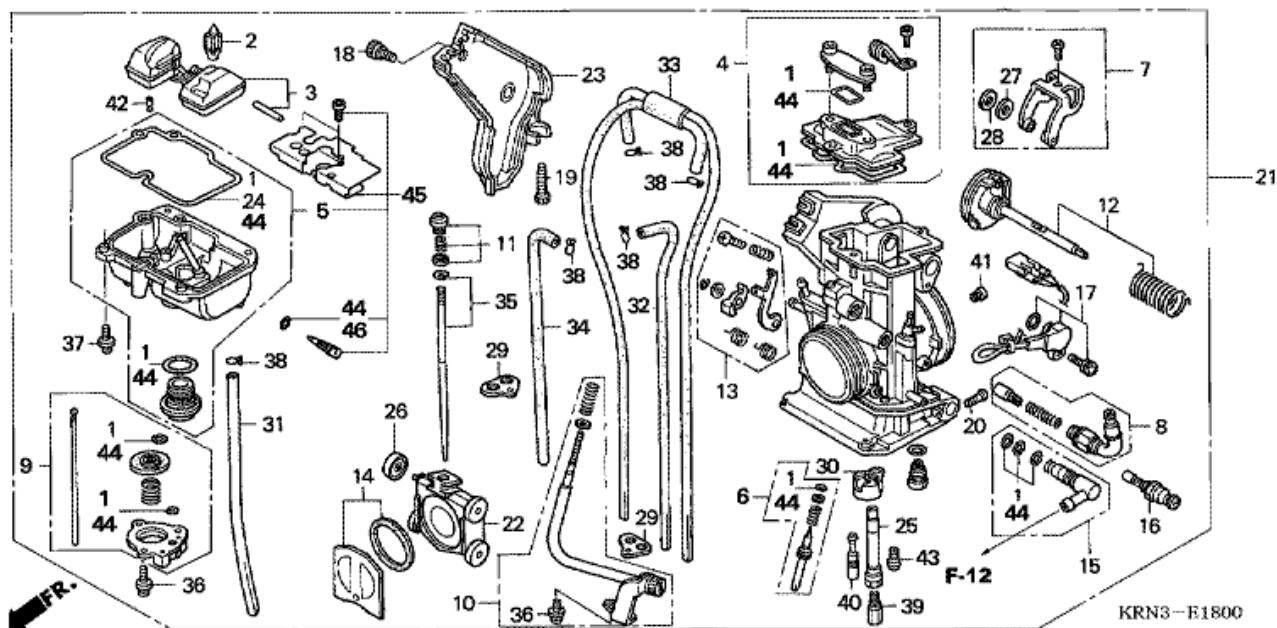
E-17 KICK STARTER SPINDLE



Refnr	Artikelnummer	Beskrivning	Antal	Best. antal	Rep.antal	Pris SEK
2	28210-KRN-670	PINION COMP., KICK STARTER (33T)	001	0	0	336,98
3	28230-KRN-670	GEAR COMP., STARTER IDLE (30T)	001	0	0	268,53
4	28241-KA3-710	RATCHET, STARTER	001	0	0	269,18
5	28242-KA3-710	SPRING, RATCHET	001	0	0	17,21
6	28251-KZ4-000	SPINDLE, KICK STARTER	001	0	0	538,91
7	28261-KA3-710	SPRING, STARTER RETURN	001	0	0	54,21
8	28262-KS6-701	PLATE, RATCHET SLIDER	001	0	0	54,30
9	28282-KZ4-B00	COLLAR, KICK SPINDLE	001	0	0	42,92
10	90452-178-000	WASHER, THRUST, 17MM	001	0	0	20,63
11	90501-444-000	WASHER, 16.8X24	003	0	0	26,92
12	93301-06016-0A	BOLT, HEX., 6X16	001	0	0	4,90
13	94510-16000	CIRCLIP, EXTERNAL, 16MM	001	0	0	5,27
14	15201-KRN-730	PLATE, OIL GUIDE	001	0	0	41,44
15	96300-06012-00	BOLT, FLANGE, 6X12	002	0	0	8,23

CRF250R CRF250R6 2006 ED EXTREME RED

E-18 CARBURETOR

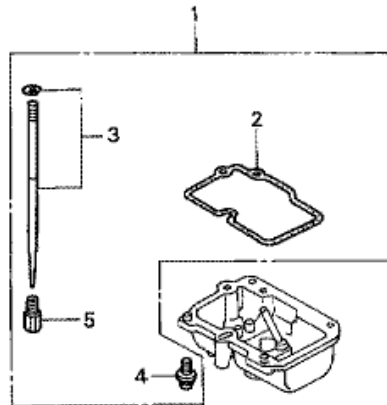
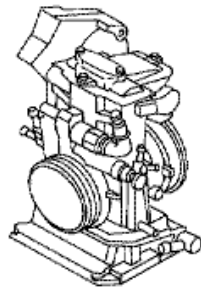


Refnr	Artikelnummer	Beskrivning	Antal	Best. antal	Rep.antal	Pris SEK
2	16011-MEN-851	VALVE SET, FLOAT	001	0	0	258,82
3	16013-KRN-851	FLOAT SET	001	0	0	308,12
4	16014-KRN-731	TOP SET	001	0	0	466,11
6	16016-KSC-671	SCREW SET A	001	0	0	208,13
7	16018-MEB-671	ARM SET, LINK	001	0	0	146,98
8	16019-MEB-671	START SET, HOT	001	0	0	281,20
9	16021-KRN-851	DIAPHRAGM SET, PUMP	001	0	0	371,20
10	16028-MEB-671	SCREW SET B	001	0	0	266,49
11	16029-MEB-671	SCREW SET, JET NEEDLE	001	0	0	91,58
12	16032-MEB-671	SHAFT SET, THROTTLE	001	0	0	595,33
13	16033-MEB-671	LEVER SET, PUMP	001	0	0	103,14
14	16037-MEB-671	VALVE SET, FLOATING	001	0	0	1069,67
15	16038-KRN-671	JOINT SET, FUEL	001	0	0	254,10
16	16046-MEB-671	VALVE SET, STARTER	001	0	0	362,97
17	16060-KRN-671	SENSOR ASSY., THROTTLE	001	0	0	850,63
18	16080-MEB-671	BOLT, COVER	001	0	0	21,18
20	16083-MEB-671	SCREW, PAN	001	0	0	12,95
21	16100-KRN-861	CARBURETOR ASSY. (FCR12A A)	001	0	0	10446,67
22	16112-MEB-671	VALVE, THROTTLE	001	0	0	2062,75
23	16157-MEN-671	COVER, THROTTLE	001	0	0	151,42
24	16163-MEB-671	GASKET, FLOAT CHAMBER	001	0	0	144,12
25	16165-MEN-851	HOLDER, NEEDLE JET	001	0	0	95,83
26	16172-MEB-671	ROLLER	001	0	0	79,92
27	16177-MEB-671	WASHER, PLAIN (PO)	001	0	0	11,84
28	16178-MEB-671	WASHER, PLAIN (SUS)	001	0	0	15,91
29	16178-MEN-851	BINDER	002	0	0	46,43
30	16185-KRN-851	PLATE, BUFFER	001	0	0	92,87
31	16196-MEN-851	TUBE, OVERFLOW	001	0	0	78,35
32	16197-MEB-671	TUBE, AIR VENT	001	0	0	71,13
33	16198-MEB-671	TUBE COMP., AIR VENT	001	0	0	85,47

34	16199-MEB-671	TUBE, AIR VENT	001	0	0	71,13
35	16201-KRN-851	NEEDLE SET, JET (NHFQ)	(1)	0	0	230,14
35	16202-KRN-851	NEEDLE SET, JET (NHFR)	(1)	0	0	230,14
35	16203-KRN-851	NEEDLE SET, JET (NHFS)	001	0	0	230,14
35	16204-KRN-851	NEEDLE SET, JET (NHFT)	(1)	0	0	230,14
35	16205-KRN-851	NEEDLE SET, JET (NHFU)	(1)	0	0	230,14
35	16230-KRN-851	NEEDLE SET, JET (NHGQ)	(1)	0	0	230,14
35	16231-KRN-851	NEEDLE SET, JET (NHGR)	(1)	0	0	230,14
35	16232-KRN-851	NEEDLE SET, JET (NHGS)	(1)	0	0	230,14
35	16233-KRN-851	NEEDLE SET, JET (NHGT)	(1)	0	0	230,14
35	16234-KRN-851	NEEDLE SET, JET (NHGU)	(1)	0	0	230,14
36	93892-04008-18	SCREW-WASHER, 4X8	004	0	0	4,90
37	93892-04014-18	SCREW-WASHER, 4X14	004	0	0	3,52
38	95002-02079	CLIP, TUBE (B7)	005	0	0	3,24
39	99101-357-1580	JET, MAIN, #158	(1)	0	0	71,32
39	99101-357-1600	JET, MAIN, #160	(1)	0	0	71,32
39	99101-357-1620	JET, MAIN, #162	(1)	0	0	92,13
39	99101-357-1650	JET, MAIN, #165	(1)	0	0	92,13
39	99101-357-1700	JET, MAIN, #170	(1)	0	0	92,13
39	99101-357-1720	JET, MAIN, #172	(1)	0	0	92,13
39	99101-357-1750	JET, MAIN, #175	(1)	0	0	92,13
39	99101-357-1780	JET, MAIN, #178	(1)	0	0	92,13
40	99103-440-0380	JET, SLOW, #38	(1)	0	0	71,32
40	99103-440-0400	JET, SLOW, #40	(1)	0	0	71,32
40	99103-440-0420	JET, SLOW, #42	001	0	0	90,37
40	99103-440-0450	JET, SLOW, #45	(1)	0	0	71,32
40	99103-440-0480	JET, SLOW, #48	(1)	0	0	67,90
41	99104-MEB-1000	JET, SLOW AIR, #100	001	0	0	82,42
42	99108-MEB-0550	JET, LEAK, #55	001	0	0	47,08
43	99112-KRN-0680	JET, BY-STARTER, #68	001	0	0	83,99
44	16010-KSC-671	GASKET SET	001	0	0	201,47
45	16015-KRN-851	CHAMBER SET, FLOAT	001	0	0	624,47
46	16076-ND5-004	O-RING, 1.3X4.3	001	0	0	13,78

CRF250R CRF250R6 2006 ED EXTREME RED

E-18-1 CARBURETOR O.P. KIT

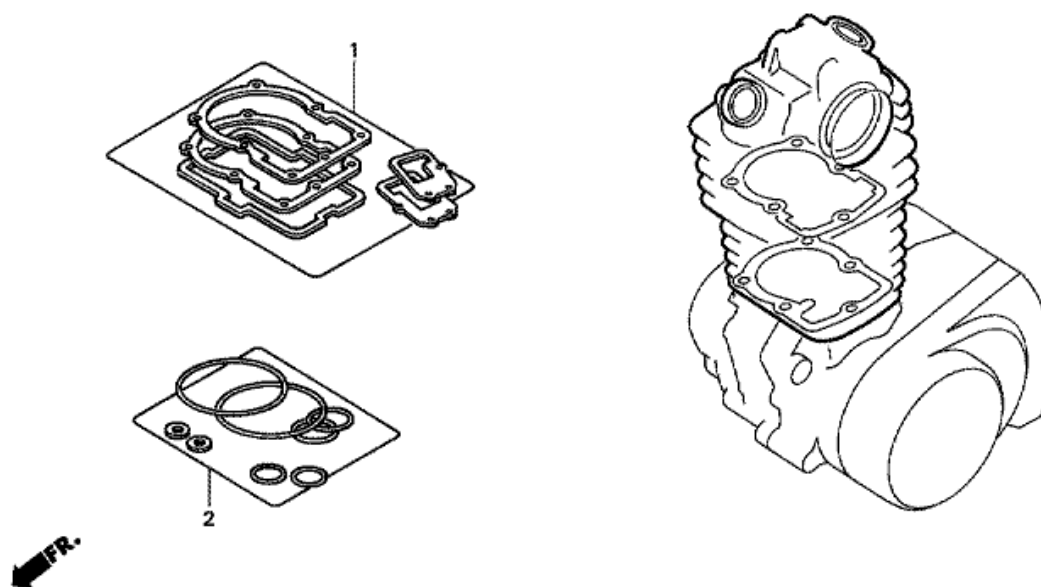


KRN4--E1801

Refnr	Artikelnummer	Beskrivning	Antal	Best. antal	Rep.antal	Pris SEK
1	16020-KRN-861	PARTS KIT, CARBURETOR OPTIONAL	(1)	0	0	2893,77
2	16163-MEB-671	GASKET, FLOAT CHAMBER	(5)	0	0	144,12
3	16201-KRN-851	NEEDLE SET, JET (NHFQ)	(1)	0	0	230,14
3	16202-KRN-851	NEEDLE SET, JET (NHFR)	(1)	0	0	230,14
3	16204-KRN-851	NEEDLE SET, JET (NHFT)	(1)	0	0	230,14
3	16205-KRN-851	NEEDLE SET, JET (NHFU)	(1)	0	0	230,14
3	16230-KRN-851	NEEDLE SET, JET (NHGO)	(1)	0	0	230,14
3	16231-KRN-851	NEEDLE SET, JET (NHGR)	(1)	0	0	230,14
3	16232-KRN-851	NEEDLE SET, JET (NHGS)	(1)	0	0	230,14
3	16233-KRN-851	NEEDLE SET, JET (NHGT)	(1)	0	0	230,14
3	16234-KRN-851	NEEDLE SET, JET (NHGU)	(1)	0	0	230,14
4	93892-04014-18	SCREW-WASHER, 4X14	(10)	0	0	3,52
5	99101-357-1580	JET, MAIN, #158	(1)	0	0	71,32
5	99101-357-1600	JET, MAIN, #160	(1)	0	0	71,32
5	99101-357-1620	JET, MAIN, #162	(1)	0	0	92,13
5	99101-357-1650	JET, MAIN, #165	(1)	0	0	92,13
5	99101-357-1700	JET, MAIN, #170	(1)	0	0	92,13
5	99101-357-1720	JET, MAIN, #172	(1)	0	0	92,13
5	99101-357-1750	JET, MAIN, #175	(1)	0	0	92,13
5	99101-357-1780	JET, MAIN, #178	(1)	0	0	92,13

CRF250R CRF250R6 2006 ED EXTREME RED

EOP-1 GASKET KIT A

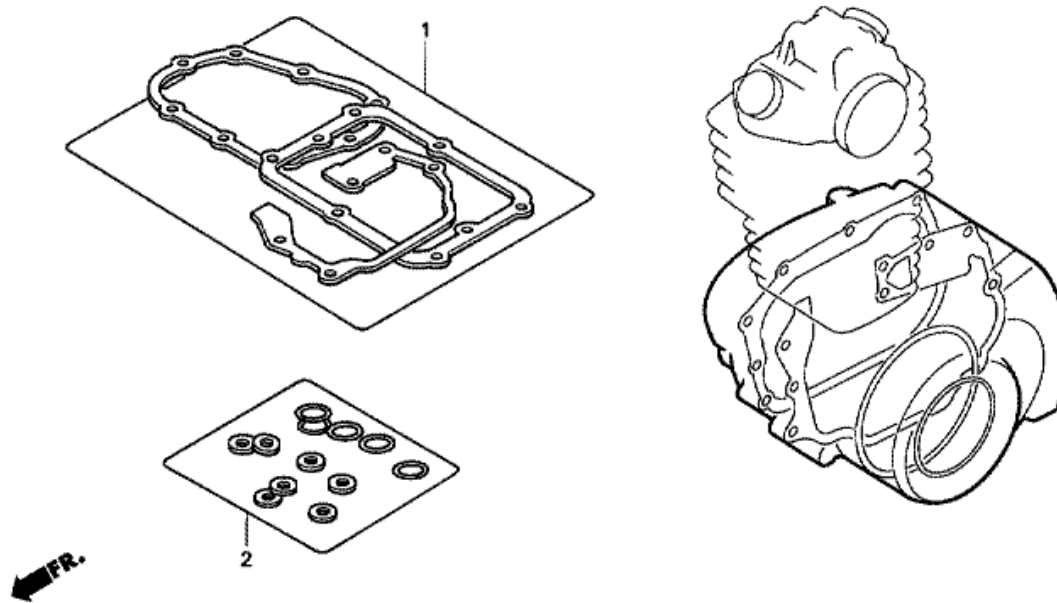


ENG1-X0001 B

Refnr	Artikelnummer	Beskrivning	Antal	Best. antal	Rep.antal	Pris SEK
1	06113-KRN-710	GASKET SHEET KIT A (COMPONENT PARTS)	001	0	0	354,46
1	12191-KRN-731	GASKET, CYLINDER	001	0	0	71,50
1	12251-KRN-731	GASKET, CYLINDER HEAD	001	0	0	191,48
1	12391-KRN-670	GASKET, HEAD COVER	001	0	0	111,00
1	14560-MEN-671	GASKET, TENSIONER LIFTER	001	0	0	39,59
1	18291-MM5-860	GASKET, EX. PIPE	001	0	0	19,98
2	06114-KRN-700	WASHER O-RING KIT A (COMPONENT PARTS)	001	0	0	132,00
2	12226-MEB-670	SEAL, RING	001	0	0	34,87
2	90442-397-000	WASHER, SEALING, 6MM	001	0	0	5,09
2	90543-MV9-670	RUBBER, MOUNTING	002	0	0	24,05
2	91303-377-000	O-RING, 13.8X2.5	002	0	0	28,49

CRF250R CRF250R6 2006 ED EXTREME RED

EOP-2 GASKET KIT B

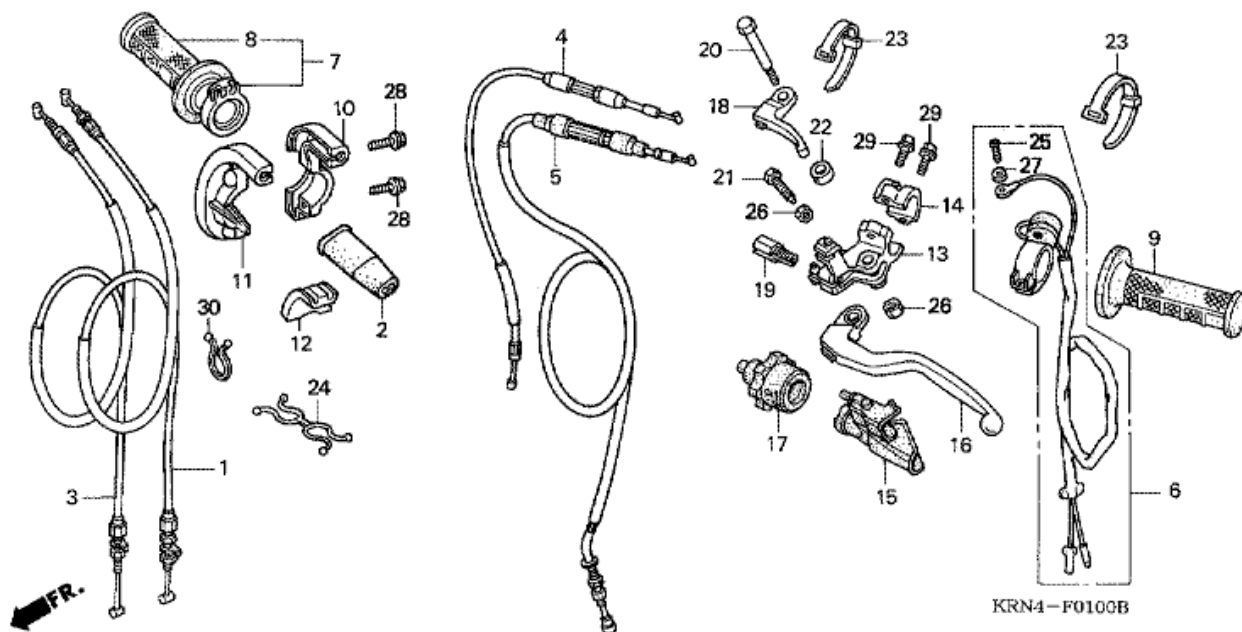


ENG2- X0001 B

Refnr	Artikelnummer	Beskrivning	Antal	Best. antal	Rep.antal	Pris SEK
1	06115-KRN-840	GASKET SHEET KIT B	001	0	0	0,00
1	11191-KRN-850	GASKET, CRANKCASE	001	0	0	133,11
1	11352-KRN-671	GASKET, CLUTCH COVER	001	0	0	57,63
1	11394-KRN-670	GASKET, R. COVER	001	0	0	143,93
1	11395-KRN-670	GASKET, L. COVER	001	0	0	77,98
1	19226-KRN-670	GASKET, WATER PUMP	001	0	0	30,80
2	06116-KRN-700	WASHER O-RING KIT B (COMPONENT PARTS)	001	0	0	312,10
2	90447-KE1-000	WASHER, SEALING, 7MM	002	0	0	18,59
2	90463-ML7-000	WASHER, SEALING, 6.5MM	002	0	0	24,98
2	90474-333-000	WASHER, SEALING, 8MM	002	0	0	22,29
2	90751-GK1-003	O-RING, 8.5X1.7	001	0	0	9,71
2	91301-KSR-A01	D-RING, 22MM	001	0	0	25,07
2	91302-PA9-003	O-RING, 39.8X2.2 (ARAI)	001	0	0	33,49
2	91303-377-000	O-RING, 13.8X2.5	001	0	0	28,49
2	91304-MJ0-003	O-RING, 15.8X2.4 (SHOWA)	001	0	0	19,98
2	91305-KF0-003	O-RING, 27X2 (ARAI)	001	0	0	7,31
2	91307-035-000	O-RING, 18X3	002	0	0	12,30
2	91312-KE7-003	O-RING, 19X3 (NOK)	001	0	0	13,69

CRF250R CRF250R6 2006 ED EXTREME RED

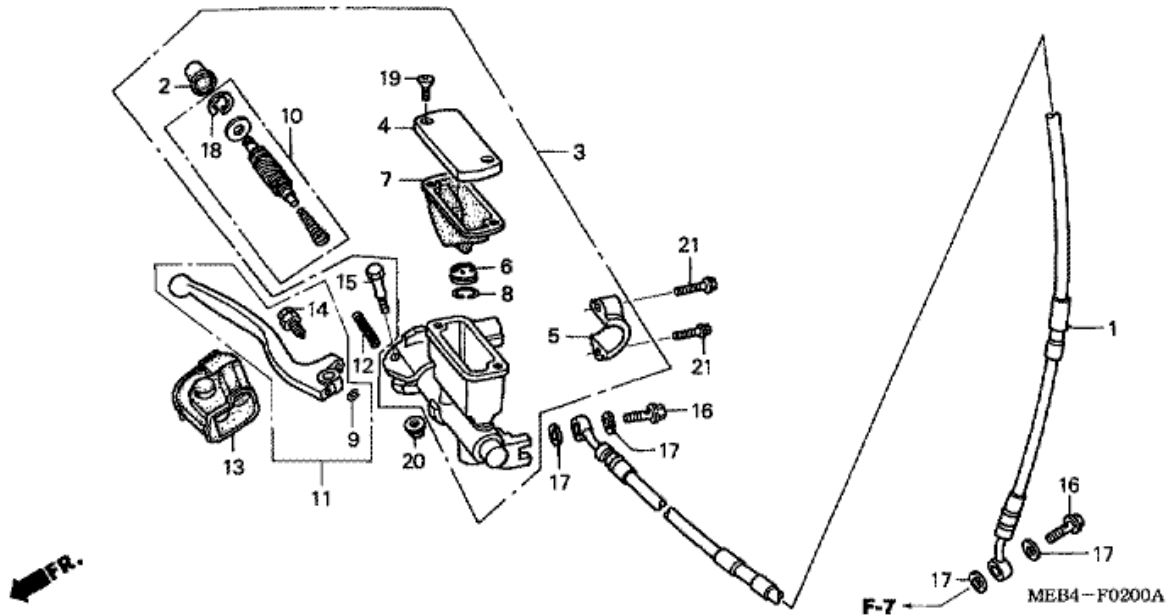
F-1 HANDLE LEVER/SWITCH/CABLE



Refnr	Artikelnummer	Beskrivning	Antal	Best. antal	Rep.antal	Pris SEK
1	17910-KRN-000	CABLE COMP. A, THROTTLE	001	0	0	254,75
2	17913-KB7-000	COVER, THROTTLE CABLE	001	0	0	63,92
3	17920-KRN-000	CABLE COMP. B, THROTTLE	001	0	0	254,75
4	17950-KRN-000	CABLE COMP., HOT STARTER	001	0	0	148,83
5	22870-KRN-000	CABLE COMP., CLUTCH	001	0	0	178,06
6	35130-MEB-670	SWITCH ASSY., KILL	001	0	0	268,25
7	53140-MEB-671	GRIP COMP., THROTTLE	001	0	0	157,71
8	53165-GBF-J60	GRIP, R. HANDLE	001	0	0	96,02
9	53166-GBF-J60	GRIP, L. HANDLE	001	0	0	96,02
10	53167-MEB-671	HOUSING, UPPER THROTTLE	001	0	0	212,47
11	53168-MEB-670	HOUSING, UNDER THROTTLE	001	0	0	212,47
12	53169-MEB-670	SLIDER, THROTTLE CABLE	001	0	0	39,41
13	53172-MEN-670	BRACKET, L. HANDLE LEVER	001	0	0	251,05
14	53174-KCE-670	HOLDER, L. LEVER BRACKET	001	0	0	108,69
15	53177-MEN-670	COVER, L. HANDLE LEVER	001	0	0	100,27
16	53178-MEN-670	LEVER, L. STEERING HANDLE	001	0	0	181,86
17	53179-MEN-671	DIAL, CLUTCH CABLE ADJUSTING	001	0	0	92,69
18	53190-MEN-670	LEVER, HOT STARTER	001	0	0	139,77
19	53192-MEN-670	BOLT, WIRE ADJUSTING	001	0	0	93,89
20	90113-MEN-670	BOLT, HANDLE LEVER PIVOT	001	0	0	58,64
21	90118-MEN-670	BOLT, LEVER PIVOT	001	0	0	23,40
22	90501-MEN-670	COLLAR, PIVOT	001	0	0	25,72
23	90650-KV6-003	BAND, WIRE	002	0	0	29,14
24	90658-SA0-003	CLIP, WIRE HARNESS	001	0	0	34,32
25	93500-04012-1A	SCREW, PAN, 4X12	001	0	0	6,01
26	94001-06000-0S	NUT, HEX., 6MM	002	0	0	5,27
27	94111-04000	WASHER, SPRING, 4MM	001	0	0	6,01
28	96001-06018-07	BOLT, FLANGE, 6X18	002	0	0	12,40
29	96001-06022-00	BOLT, FLANGE, 6X22	002	0	0	7,49
30	32171-GF9-621	LOCK, PURSE	001	0	0	20,63

CRF250R CRF250R6 2006 ED EXTREME RED

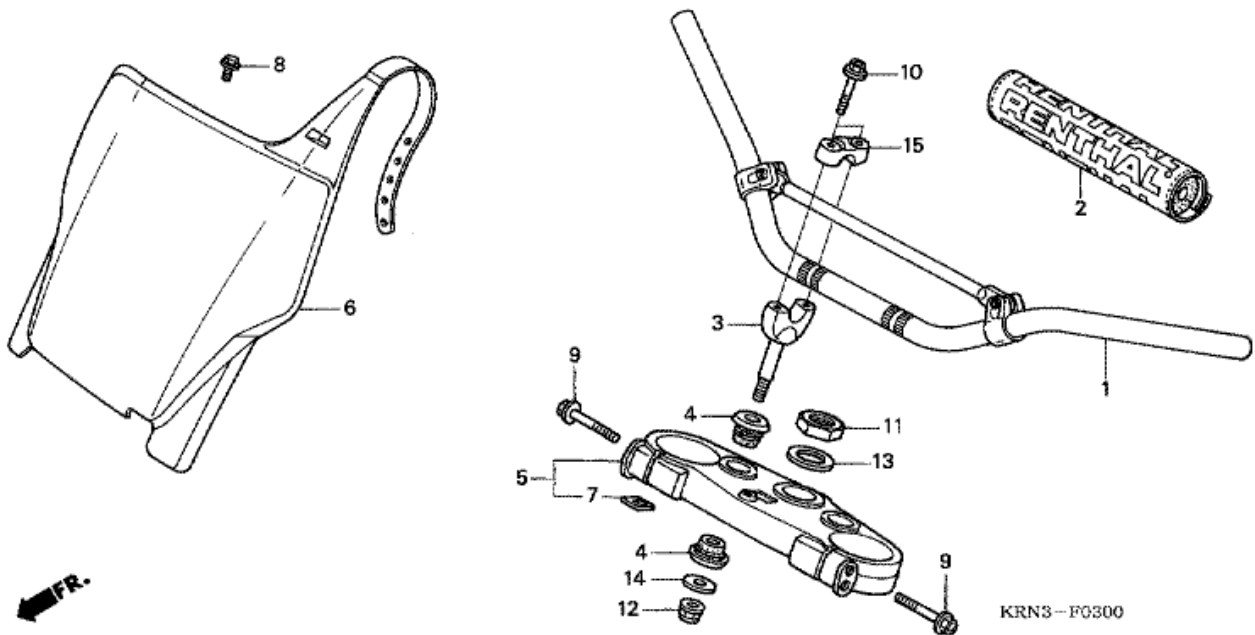
F-2 FR. BRAKE MASTER CYLINDER



Refnr	Artikelnummer	Beskrivning	Antal	Best. antal	Rep.antal	Pris SEK
1	45125-MEN-003	HOSE COMP., FR. BRAKE	001	0	0	1263,55
2	45504-KN5-006	BOOT COMP.	001	0	0	52,91
3	45510-KCE-671	CYLINDER SUB ASSY., FR. BRAKE MASTER (NISSIN)	001	0	0	2069,97
4	45513-KCE-671	CAP, MASTER CYLINDER	001	0	0	136,07
5	45517-GW0-751	HOLDER, MASTER CYLINDER	001	0	0	90,93
6	45518-KA3-731	SEPARATOR COMP.	001	0	0	63,92
7	45520-KA3-731	DIAPHRAGM	001	0	0	61,51
8	45523-KA3-731	RING	001	0	0	14,34
9	45523-MEB-003	RING	001	0	0	7,22
10	45530-KCE-671	PISTON SET, MASTER CYLINDER	001	0	0	400,53
11	53170-MEB-003	LEVER SET, R. HANDLE	001	0	0	181,86
12	53174-KN5-006	SPRING, BRAKE LEVER	001	0	0	17,21
13	53176-ML3-791	COVER, R. HANDLE LEVER	001	0	0	56,33
14	90111-MEB-003	BOLT SET, ADJUSTING	001	0	0	47,08
15	90114-166-006	BOLT, HANDLE LEVER PIVOT	001	0	0	38,20
16	90145-MS9-612	BOLT, OIL, 10X22	002	0	0	61,42
17	90545-300-000	WASHER, OIL BOLT	004	0	0	16,10
18	90651-MA5-671	CIRCLIP	001	0	0	12,12
19	93600-04012-1G	SCREW, FLAT, 4X12	002	0	0	3,98
20	94050-06000	NUT, FLANGE, 6MM	001	0	0	6,75
21	96001-06022-00	BOLT, FLANGE, 6X22	002	0	0	7,49

CRF250R CRF250R6 2006 ED EXTREME RED

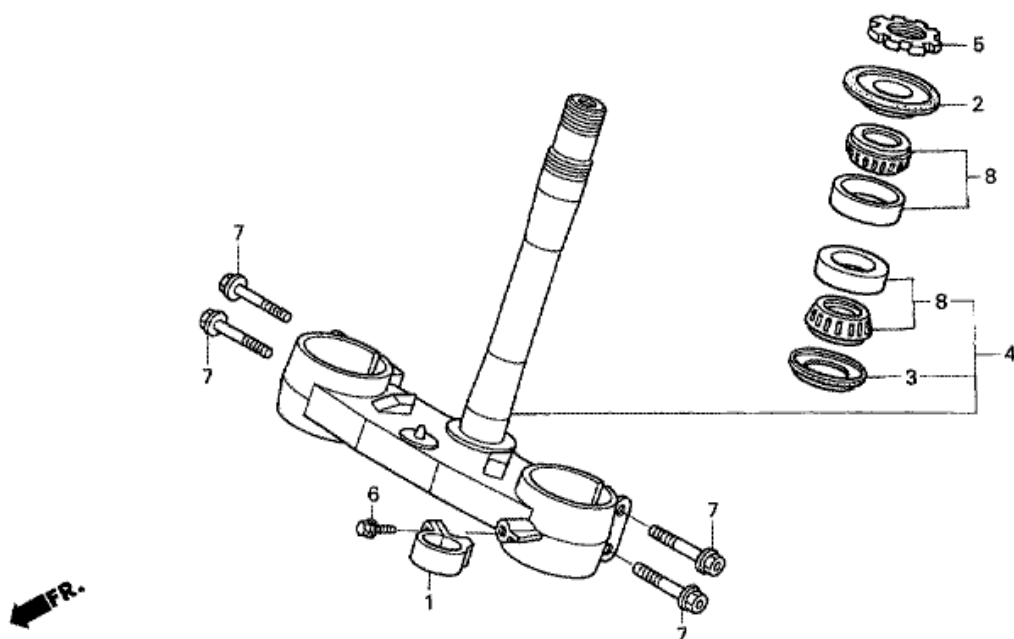
F-3 HANDLE PIPE/TOP BRIDGE



Refnr	Artikelnummer	Beskrivning	Antal	Best. antal	Rep.antal	Pris SEK
1	53100-MEN-670	PIPE, STEERING HANDLE	001	0	0	1252,73
2	53121-MEN-670	PROTECTOR, HANDLE	001	0	0	343,55
3	53132-KZ4-J20	HOLDER, HANDLE UNDER	002	0	0	165,76
3	53132-KA3-831	HOLDER, HANDLE UNDER	(2)	0	0	217,47
4	53133-KA3-832	CUSHION, HANDLE PIPE	004	0	0	26,27
5	53300-MEN-000	BRIDGE COMP., FORK TOP	001	0	0	1425,79
6	61136-MEN-670ZA	PLATE, FR. NUMBER *NH196 * (NH196 ROSS WHITE)	001	0	0	408,94
7	86150-KPG-901	EMBLEM, PRODUCT (MARUI)	001	0	0	19,43
8	90004-GHB-600	BOLT, FLANGE, 6X10 (NSHF)	001	0	0	33,21
9	90107-KZ4-J40	BOLT, FLANGE, 8X45	004	0	0	34,69
10	90124-KZ4-J40	BOLT, FLANGE, 8X35	004	0	0	37,46
11	90304-KZ4-J30	NUT, STEERING STEM	001	0	0	56,52
12	90306-KZ4-711	NUT, U, 10MM	002	0	0	19,52
13	90503-KZ4-J40	WASHER, STEERING STEM	001	0	0	16,00
14	90507-KA3-830	WASHER, PLAIN, 10MM	002	0	0	12,76
15	95014-22100	HOLDER B1, HANDLE PIPE UPPER	002	0	0	108,78

CRF250R CRF250R6 2006 ED EXTREME RED

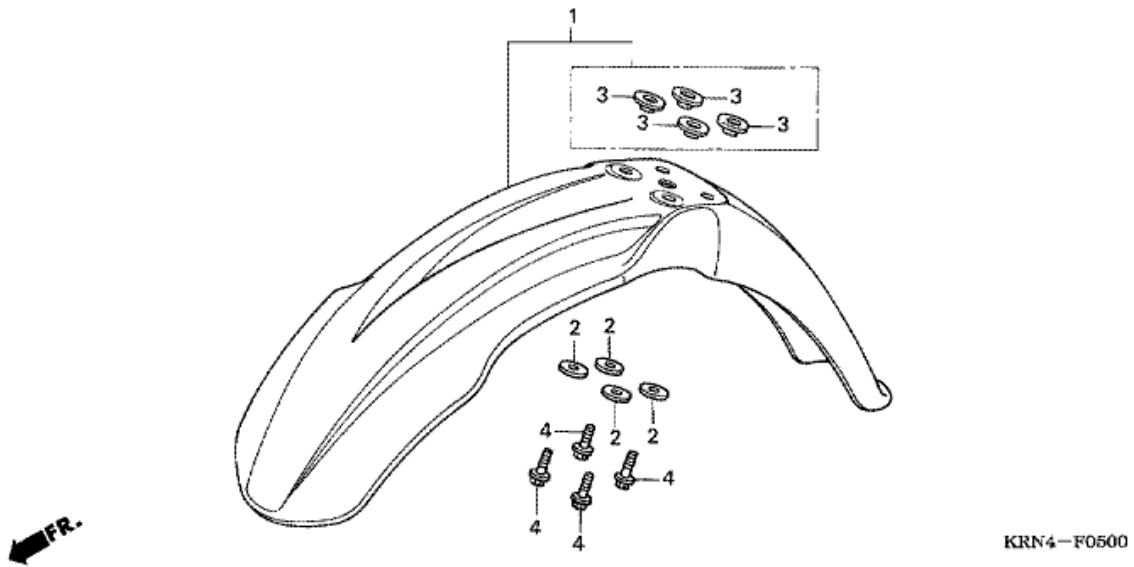
F-4 STEERING STEM



KRN4-F0400

Refnr	Artikelnummer	Beskrivning	Antal	Best. antal	Rep.antal	Pris SEK
1	45468-KS7-830	GUIDE, FR. BRAKE HOSE	001	0	0	96,02
2	53214-KZ3-861	DUST SEAL, STEERING HEAD (ARAI)	001	0	0	48,66
3	53214-KZ4-701	DUST SEAL, STEERING HEAD (ARAI)	001	0	0	47,73
4	53219-KRN-710	STEM SUB ASSY., STEERING	001	0	0	3837,55
5	53229-KZ4-J30	THREAD, STEERING HEAD TOP	001	0	0	85,84
6	90106-MJ0-000	BOLT, FLANGE, 6X16	001	0	0	21,00
7	90107-KZ4-J40	BOLT, FLANGE, 8X45	004	0	0	34,69
8	91015-KZ4-701	BEARING, HEAD PIPE (NTN)	002	0	0	265,57

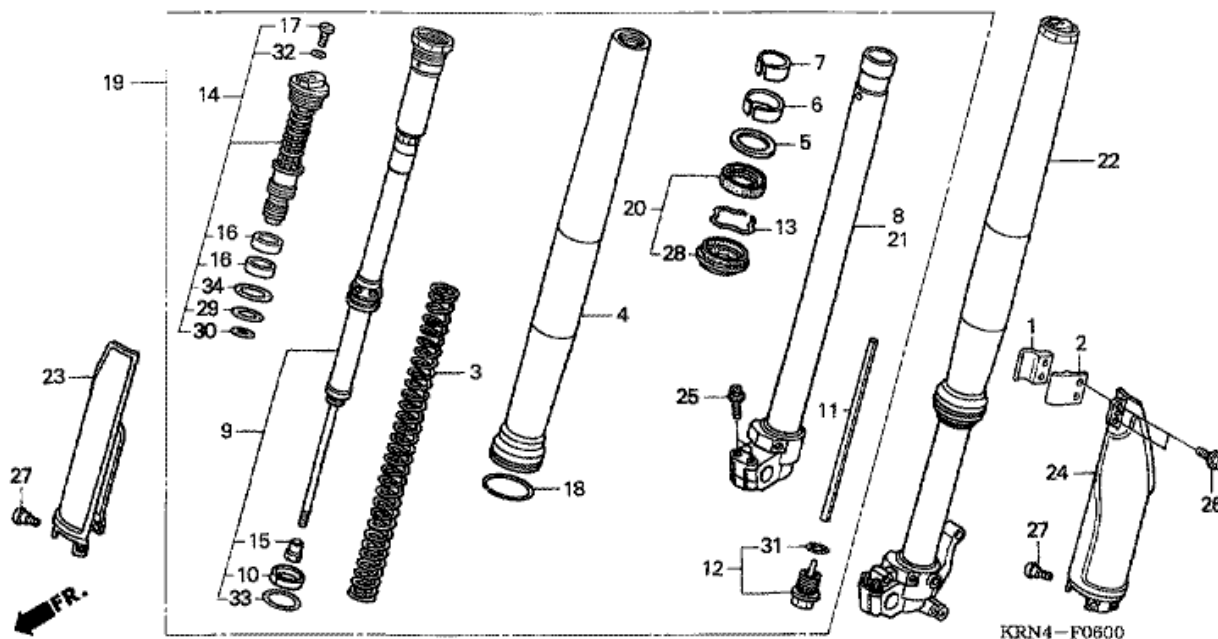
CRF250R CRF250R6 2006 ED EXTREME RED
F-5 FRONT FENDER



Refnr	Artikelnummer	Beskrivning	Antal	Best. antal	Rep.antal	Pris SEK
1	61110-MEN-670	FENDER SUB ASSY., FR.	001	0	0	797,44
2	90506-430-000	WASHER, FENDER MOUNTING	004	0	0	28,49
3	90512-KZ4-J20	COLLAR, FR. FENDER	004	0	0	36,72
4	96001-06016-00	BOLT, FLANGE, 6X16	004	0	0	6,01

CRF250R CRF250R6 2006 ED EXTREME RED

F-6 FRONT FORK

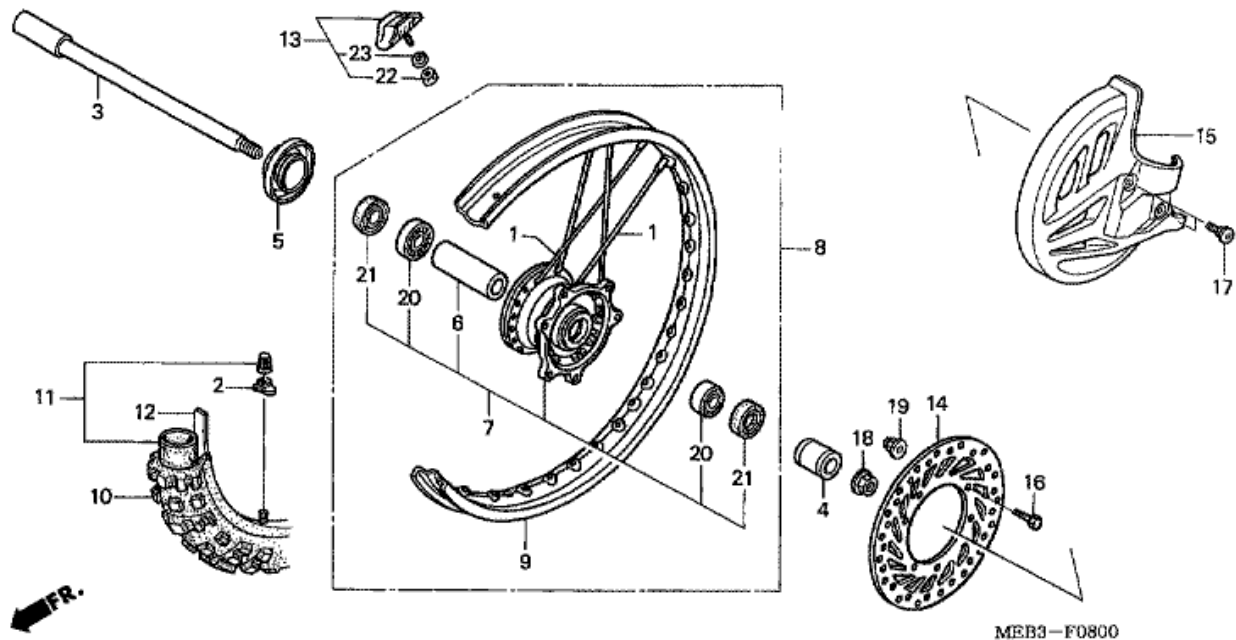


Refnr	Artikelnummer	Beskrivning	Antal	Best. antal	Rep.antal	Pris SEK
1	45461-MEN-000	CLAMPER A, FR. BRAKE HOSE	001	0	0	53,00
2	45462-MEN-000	CLAMPER B, FR. BRAKE HOSE	001	0	0	39,13
3	51402-MEB-751	SPRING, FR. FORK (SHOWA) (4.4N/MM,0.45KGF/MM)	002	0	0	503,48
3	51401-KZ3-J21	SPRING, FR. FORK (SHOWA) (4.22N/MM,0.43KGF/MM)	(2)	0	0	540,66
3	51401-MEB-003	SPRING, FR. FORK (SHOWA) (4.6N/MM,0.47KGF/MM)	(2)	0	0	503,48
4	51410-MEN-841	TUBE, OUTER	002	0	0	3431,66
5	51412-KRN-711	RING, BACK UP	002	0	0	45,97
6	51414-KZ3-B01	BUSH, GUIDE	002	0	0	96,29
7	51415-KZ3-B01	BUSH, SLIDER	002	0	0	96,29
8	51420-KSC-A01	PIPE COMP., R. SLIDE	001	0	0	2628,85
9	51430-KRN-841	DAMPER COMP., FR.	002	0	0	2812,46
10	51431-KZ3-B01	BUSH B, SLIDER	002	0	0	105,73
11	51437-KZ3-J41	COLLAR, REBOUND NEEDLE	002	0	0	86,77
12	51440-KRN-711	BOLT COMP., CENTER	002	0	0	215,90
13	51447-KZ3-003	RING, OIL SEAL STOPPER	002	0	0	28,49
14	51450-KRN-841	BOLT ASSY., FR. FORK	002	0	0	1250,69
15	51451-KZ3-B01	NUT, LOCK	002	0	0	62,72
16	51453-KZ3-B01	BUSH C, SLIDER	004	0	0	38,57
17	51456-KZ3-J41	BOLT, PLUG	002	0	0	50,23
18	51476-MEY-003	RING, WEAR	002	0	0	37,37
19	51480-KRN-841	FORK SUB ASSY., R. FR. (SHOWA)	001	0	0	9917,57
20	51490-MEN-003	SEAL SET, FR. FORK	002	0	0	239,39
21	51520-KSC-A01	PIPE COMP., L. SLIDE	001	0	0	3167,66
22	51580-KRN-841	FORK SUB ASSY., L. FR. (SHOWA)	001	0	0	7730,13
23	51610-MEN-000ZA	PROTECTOR, R. FR. FORK *TNATURAL * (TNATURAL NATURAL)	001	0	0	347,62
24	51620-MEN-000ZA	PROTECTOR, L. FR. FORK *TNATURAL * (TNATURAL NATURAL)	001	0	0	347,62

25	90108-KZ4-J40	BOLT, FLANGE, 8X40	004	0	0	34,69
26	90113-KZ3-000	BOLT, FLANGE, 6MM	002	0	0	25,16
27	90113-MAC-780	BOLT, PROTECTOR	006	0	0	21,00
28	91254-KZ3-J31	DUST SEAL	002	0	0	103,79
29	91256-KZ3-A71	O-RING, 26.7X3.5	002	0	0	26,27
30	91257-MEB-751	O-RING, 27.7X1.9	002	0	0	26,27
31	91258-KZ3-B01	O-RING, 18.8X1.9	002	0	0	15,45
32	91301-KZ3-711	O-RING, 3.5X1.5	002	0	0	8,05
33	91356-KZ3-003	O-RING, 44.7X2.4	002	0	0	29,69
34	91356-MW0-003	O-RING, 37.2X2.4 (SHOWA)	002	0	0	18,22

CRF250R CRF250R6 2006 ED EXTREME RED

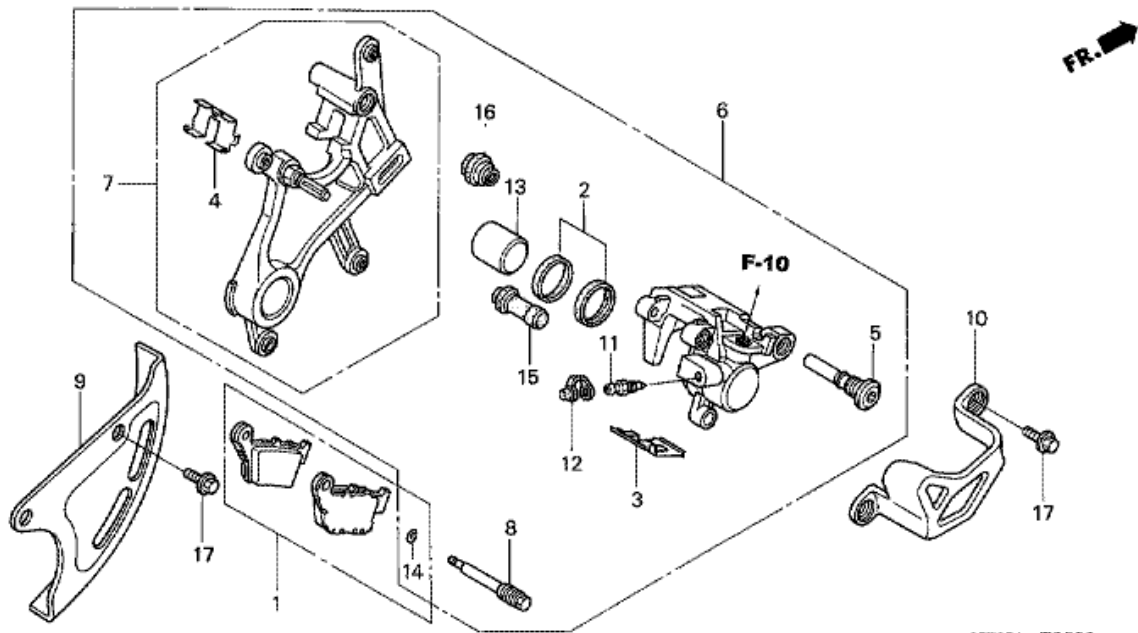
F-8 FRONT WHEEL



Refnr	Artikelnummer	Beskrivning	Antal	Best. antal	Rep.antal	Pris SEK
1	06440-MEN-840	SPOKE SET, FR. (240MM)	036	0	0	29,14
2	42714-KA3-710	CAP, VALVE	001	0	0	62,44
3	44301-MEN-000	AXLE, FR. WHEEL	001	0	0	379,34
4	44311-KZ4-J40	COLLAR, L. FR. WHEEL	001	0	0	89,36
5	44312-MEN-000	COLLAR COMP., R. FR. WHEEL	001	0	0	126,73
6	44620-MAC-680	COLLAR, FR. DISTANCE	001	0	0	113,41
7	44635-MEN-840	HUB SUB ASSY., FR.	001	0	0	2276,52
8	44650-MEN-840	WHEEL SUB ASSY., FR.	001	0	0	5376,19
9	44701-MEN-003	RIM, FR. WHEEL (21X1.60)	001	0	0	2313,80
10	44711-MEB-771	TIRE, FR. (PIRELLI) (80/100-21 M/C 51R MST MT32A)	001	0	0	1828,73
11	44712-MEB-771	TUBE, TIRE (PIRELLI) (80/100-21)	001	0	0	370,74
12	44713-MEB-771	FLAP, TIRE (PIRELLI)	001	0	0	53,56
13	44715-MA0-770	STOPPER, BEAD (1.60)	001	0	0	263,90
14	45351-KZ4-J30	DISK, FR. BRAKE	001	0	0	1335,79
15	51614-KZ4-J41ZA	COVER, FR. DISK *TNATURAL * (TNATURAL NATURAL)	001	0	0	208,50
16	90105-MAC-680	BOLT, DISK, 6X19	006	0	0	19,15
17	90114-MAC-780	BOLT, FR. DISK COVER	002	0	0	18,04
18	90301-KZ4-J40	NUT, FR. AXLE	001	0	0	124,14
19	90301-473-003	NUT, U, 6MM	006	0	0	25,07
20	91062-MAC-681	BEARING, RADIAL BALL, 6904	002	0	0	96,85
21	91201-KS6-004	OIL SEAL, 26X37X7 (ARAI)	002	0	0	76,22
22	94001-08000-0S	NUT, HEX., 8MM	001	0	0	3,98
23	94111-08000	WASHER, SPRING, 8MM	001	0	0	6,01

CRF250R CRF250R6 2006 ED EXTREME RED

F-9 REAR BRAKE CALIPER

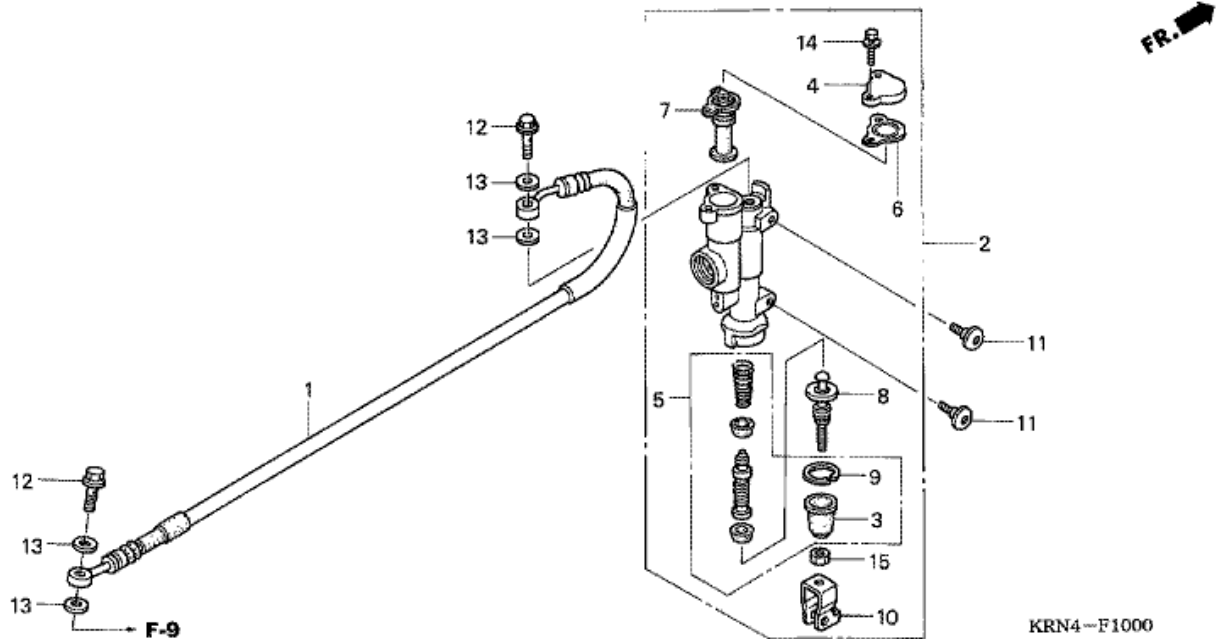


KRN4-F0900

Refnr	Artikelnummer	Beskrivning	Antal	Best. antal	Rep.antal	Pris SEK
1	06435-KRN-711	PAD SET, RR.	001	0	0	349,65
2	06451-MZ2-405	SEAL SET, PISTON	001	0	0	59,29
3	43108-KZ4-J41	SPRING, PAD	001	0	0	32,56
4	43112-KZ4-J41	RETAINER, BRACKET	001	0	0	30,62
5	43131-KW3-006	BOLT, PIN	001	0	0	29,14
6	43150-KRN-711	CALIPER SUB ASSY., RR. BRAKE (NISSIN)	001	0	0	2340,71
7	43190-KRN-711	BRACKET SUB ASSY., RR.	001	0	0	1113,05
8	43215-KZ4-J41	PIN, HANGER	001	0	0	43,85
9	43330-KZ4-J40ZA	COVER, RR. DISK *TNATURAL * (TNATURAL NATURAL)	001	0	0	140,69
10	43340-MEY-000ZA	GUARD, RR. CALIPER *TNATURAL * (TNATURAL NATURAL)	001	0	0	164,19
11	43352-568-003	SCREW, BLEEDER (NISSIN)	001	0	0	44,49
12	43353-461-771	CAP, BLEEDER	001	0	0	31,45
13	45107-MCT-006	PISTON (22 A)	001	0	0	229,40
14	45111-MAJ-G41	RING, STOPPER	001	0	0	9,99
15	45132-166-016	BOOT, PIN BUSH (NISSIN)	001	0	0	21,74
16	45133-MA3-006	BOOT B	001	0	0	31,45
17	90004-GHB-600	BOLT, FLANGE, 6X10 (NSHF)	004	0	0	33,21

CRF250R CRF250R6 2006 ED EXTREME RED

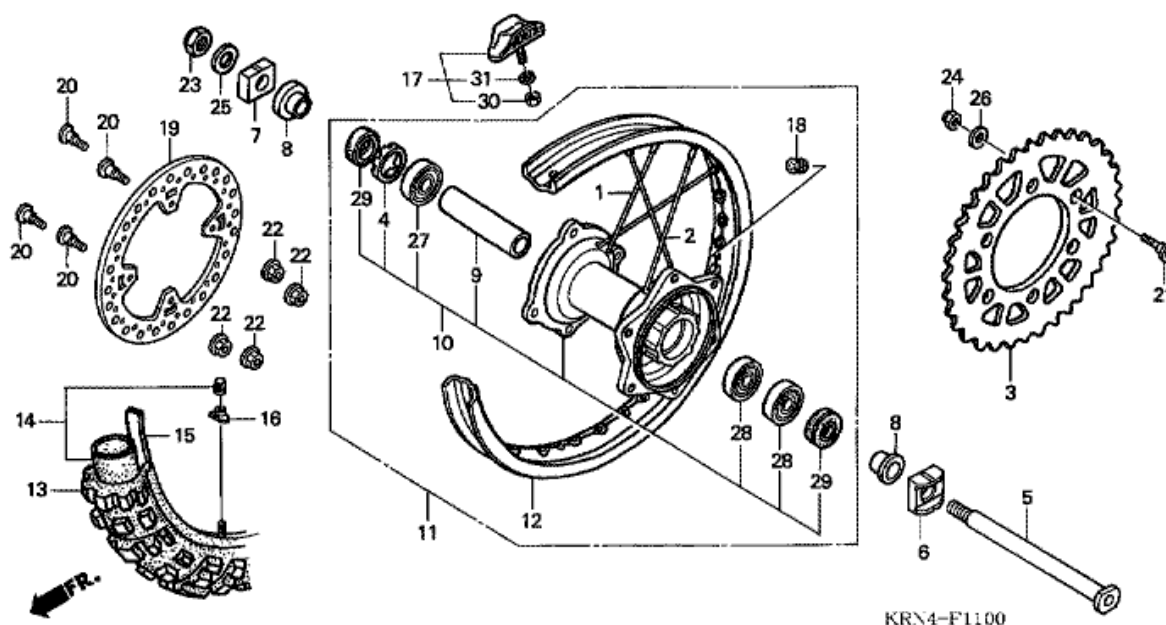
F-10 RR. BRAKE MASTER CYLINDER



Refnr	Artikelnummer	Beskrivning	Antal	Best. antal	Rep.antal	Pris SEK
1	43310-KZ4-J41	HOSE, RR. BRAKE	001	0	0	502,18
2	43500-KZ4-J42	CYLINDER ASSY., RR. BRAKE MASTER (NISSIN)	001	0	0	1619,21
3	43504-MB2-006	BOOT COMP.	001	0	0	44,40
4	43513-KZ4-J41	CAP, MASTER CYLINDER	001	0	0	28,12
5	43520-KZ4-J42	PISTON SET, MASTER CYLINDER	001	0	0	400,53
6	43521-KZ4-J41	PLATE, DIAPHRAGM	001	0	0	33,76
7	43522-KZ4-J41	DIAPHRAGM	001	0	0	113,78
8	43530-KZ4-J41	ROD COMP., PUSH	001	0	0	133,57
9	46182-500-013	CIRCLIP	001	0	0	19,61
10	46504-KZ4-J41	JOINT, BRAKE ROD	001	0	0	42,92
11	90114-MAC-780	BOLT, FR. DISK COVER	002	0	0	18,04
12	90145-MS9-612	BOLT, OIL, 10X22	002	0	0	61,42
13	90545-300-000	WASHER, OIL BOLT	004	0	0	16,10
14	93401-04016-00	BOLT-WASHER, 4X16	002	0	0	4,26
15	94002-06000-0S	NUT, HEX., 6MM	001	0	0	5,74

CRF250R CRF250R6 2006 ED EXTREME RED

F-11 REAR WHEEL

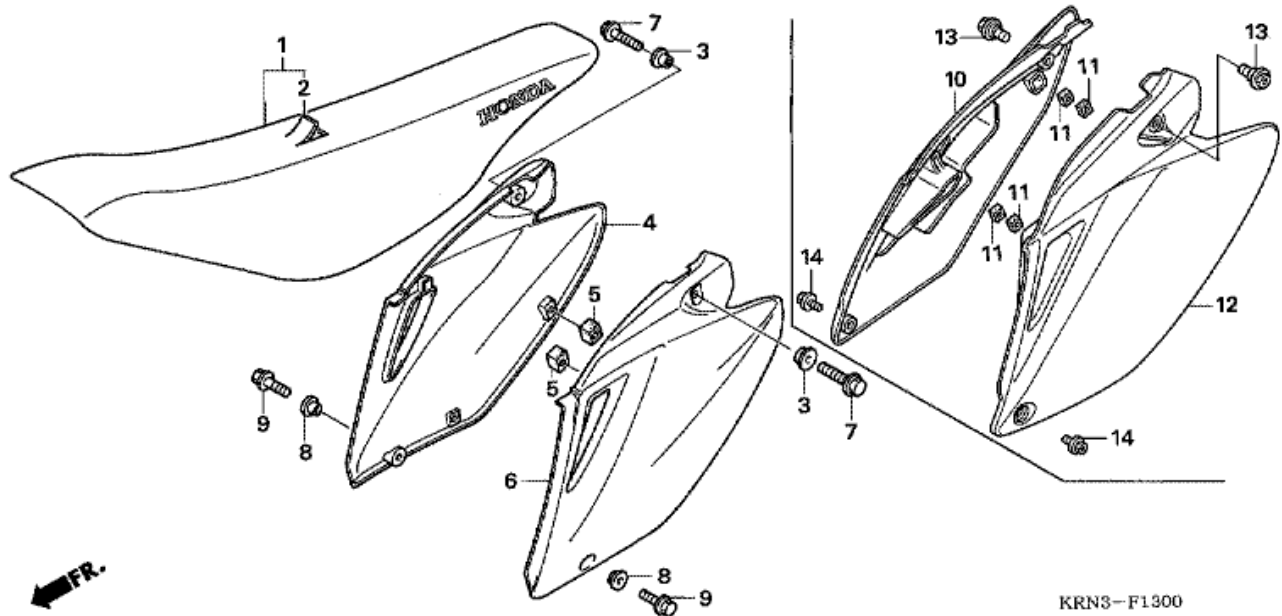


Refnr	Artikelnummer	Beskrivning	Antal	Best. antal	Rep.antal	Pris SEK
1	06420-KRN-710	SPOKE SET, RR. (INSIDE)	016	0	0	25,07
2	06421-KRN-710	SPOKE SET, RR. (OUTSIDE)	016	0	0	25,07
3	41201-MEY-000	SPROCKET, FINAL DRIVEN (51T)	001	0	0	751,56
3	41203-KZ3-J20	SPROCKET, FINAL DRIVEN (50T)	(1)	0	0	899,75
3	41203-KZ4-J30	SPROCKET, FINAL DRIVEN (52T)	(1)	0	0	899,75
4	41231-KZ4-J20	RETAINER, RR. WHEEL BEARING	001	0	0	128,30
5	42301-KZ4-J40	AXLE, RR. WHEEL	001	0	0	605,60
6	42305-KZ4-J40	COLLAR, L. RR. AXLE	001	0	0	134,40
7	42306-KZ4-J20	COLLAR, R. RR. AXLE	001	0	0	124,69
8	42311-KZ4-J40	COLLAR, RR. WHEEL SIDE	002	0	0	135,70
9	42620-KZ4-J20	COLLAR, RR. WHEEL DISTANCE	001	0	0	237,91
10	42635-KRN-710	HUB SUB ASSY., RR.	001	0	0	2716,08
11	42650-KRN-710	WHEEL SUB ASSY., RR.	001	0	0	6777,20
12	42701-KRN-003	RIM, RR. WHEEL (19X1.85)	001	0	0	2636,99
13	42711-KSR-D02	TIRE, RR. (PIRELLI) (100/90-19 NHS MT32)	001	0	0	2436,36
14	42712-MEB-771	TUBE, TIRE (PIRELLI)	001	0	0	380,73
15	42713-MEB-771	FLAP, TIRE (PIRELLI)	001	0	0	50,78
16	42714-KA3-710	CAP, VALVE	001	0	0	62,44
17	42715-KA2-680	STOPPER, BEAD (1.85)	001	0	0	278,06
18	42717-329-000	CAP, RIM HOLE	001	0	0	40,79
19	43351-KZ4-J40	DISK, RR. BRAKE	001	0	0	1483,79
20	90105-MAC-680	BOLT, DISK, 6X19	004	0	0	19,15
21	90125-KA4-000	SCREW, FLAT, 8X31	006	0	0	18,87
22	90301-473-003	NUT, U, 6MM	004	0	0	25,07
23	90305-KZ4-J20	NUT, U, 22MM	001	0	0	62,44
24	90309-ML3-791	NUT, U, 8MM	006	0	0	27,84
25	90401-KZ4-J20	WASHER, 22X35X2	001	0	0	26,92
26	90465-MC4-000	WASHER, 8MM	006	0	0	25,07
27	91051-KZ4-J21	BEARING, RADIAL BALL, 69052RS	001	0	0	169,37

28	91052-KZ4-J21	BEARING, RADIAL BALL, 6905RS	002	0	0	159,19
29	91251-KZ4-J21	DUST SEAL, 32X43X7	002	0	0	58,64
30	94001-08000-0S	NUT, HEX., 8MM	001	0	0	3,98
31	94111-08000	WASHER, SPRING, 8MM	001	0	0	6,01

CRF250R CRF250R6 2006 ED EXTREME RED

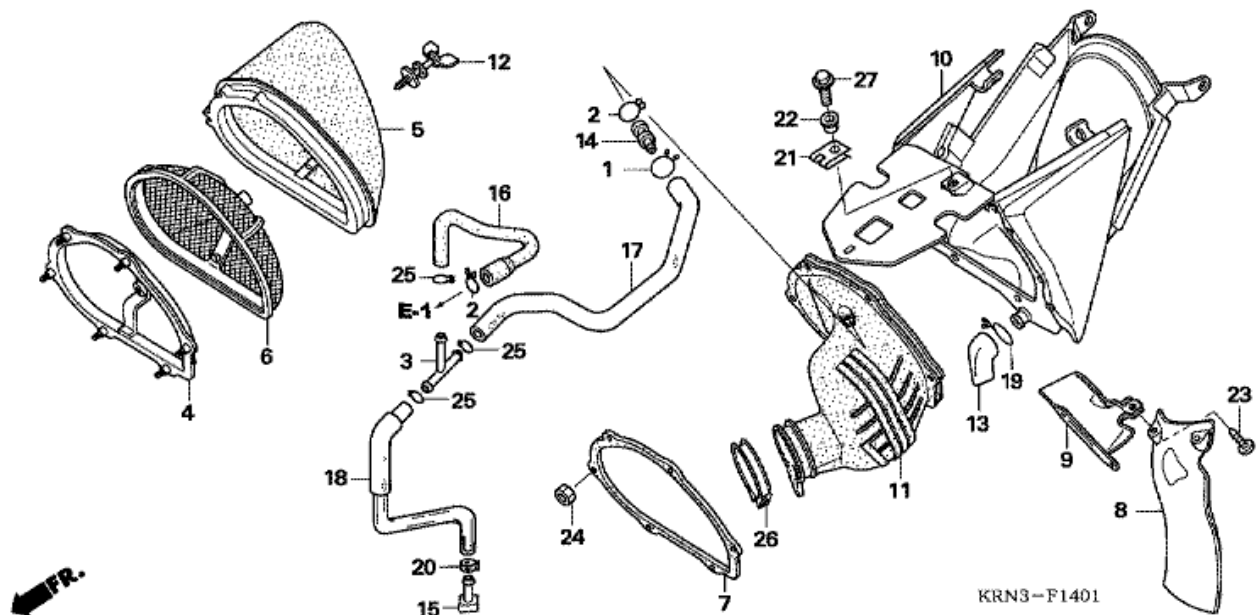
F-13 SEAT/SIDE COVER



Refnr	Artikelnummer	Beskrivning	Antal	Best. antal	Rep.antal	Pris SEK
1	77100-KRN-850	SEAT COMP.	001	0	0	1654,09
2	77101-KRN-000	LEATHER COMP., SEAT (NO LETTERS PRINTED)	001	0	0	898,08
10	83510-KRN-850	COVER, R. SIDE	001	0	0	355,48
11	83515-KZ3-700	RUBBER, SIDE COVER STOPPER	004	0	0	27,20
12	83610-KRN-850	COVER, L. SIDE	001	0	0	355,48
13	90102-MEN-710	BOLT, SPECIAL, 8MM	002	0	0	23,40
14	90103-MEN-710	BOLT, SPECIAL, 6MM	002	0	0	23,40

CRF250R CRF250R6 2006 ED EXTREME RED

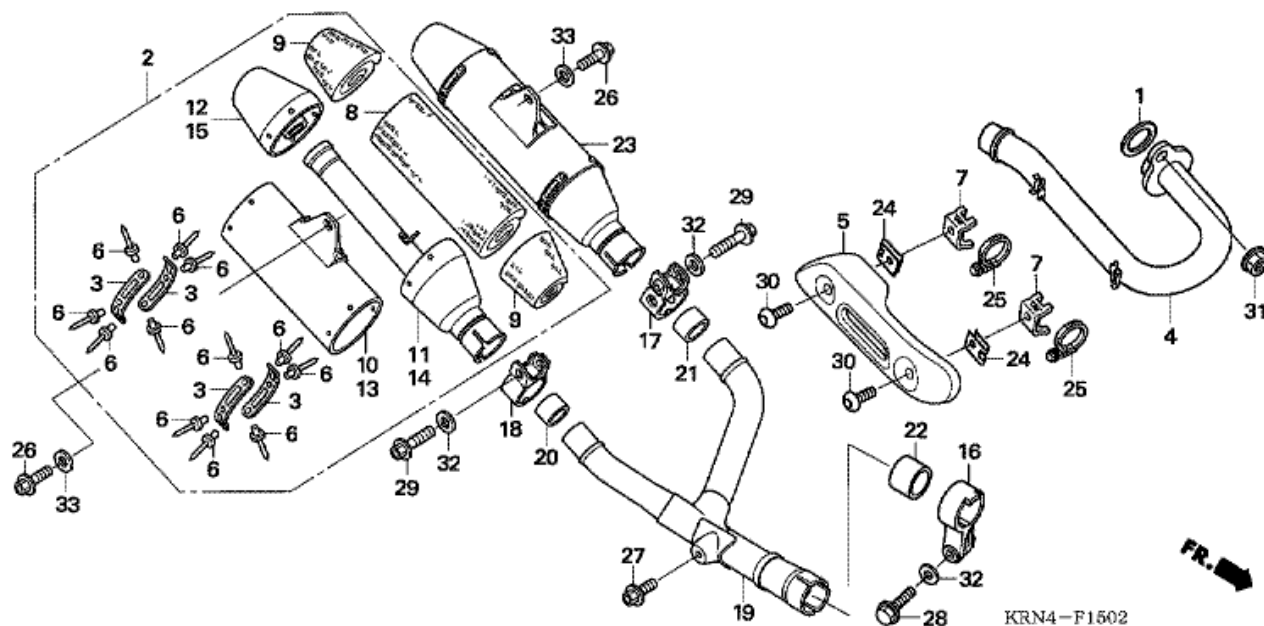
F-14-1 AIR CLEANER (CRF250R6)



Refnr	Artikelnummer	Beskrivning	Antal	Best. antal	Rep.antal	Pris SEK
1	15707-634-000	CLIP, OIL DRAIN TUBE	001	0	0	21,09
2	15771-551-000	CLIP, OIL DRAIN TUBE	002	0	0	42,27
3	16959-MY1-000	JOINT, FUEL TUBE	001	0	0	91,76
4	17212-MEN-670	STAY, AIR CLEANER ELEMENT	001	0	0	650,74
5	17213-KRN-850	ELEMENT, AIR CLEANER	002	0	0	463,61
6	17214-MEN-670	BASE ASSY., ELEMENT	001	0	0	361,40
7	17217-MEB-770	PLATE, AIR CLEANER CASE FR.	001	0	0	105,54
8	17218-KRN-850	MUDGUARD, AIR CLEANER CASE	001	0	0	291,28
9	17230-KRN-850	GUARD, HEAT	001	0	0	89,26
10	17250-KRN-850	CASE COMP., AIR CLEANER	001	0	0	1310,73
11	17253-KRN-850	TUBE, AIR CLEANER CONNECTING	001	0	0	326,62
12	17291-MEB-670	BOLT, AIR CLEANER ELEMENT SETTING	001	0	0	86,95
13	17358-KRN-000	TUBE, DRAIN	001	0	0	53,37
14	17359-MAG-L00	JOINT, BREATHER TUBE	001	0	0	37,28
15	17370-419-700	PLUG, BREATHER TUBE	001	0	0	16,37
16	17372-KRN-000	TUBE A, BREATHER	001	0	0	71,13
17	17374-KRN-000	TUBE B, BREATHER	001	0	0	71,13
18	17375-KRN-000	TUBE C, BREATHER	001	0	0	62,35
19	17724-102-700	CLIP, SUB TANK HOSE	001	0	0	11,66
20	43514-KS6-701	CLAMP, MASTER CYLINDER OIL HOSE	001	0	0	33,21
21	90305-GK8-000	NUT, CLIP, 6MM	001	0	0	14,34
22	90501-KRN-000	COLLAR, AIR CLEANER	001	0	0	32,38
23	93913-15510	SCREW, TAPPING, 5X20	002	0	0	3,98
24	94002-05000-0S	NUT, HEX., 5MM	006	0	0	3,98
25	95002-02120	CLIP, TUBE (B12)	003	0	0	4,90
26	95018-60321	BAND, AIR CLEANER CONNECTING TUBE (60)	001	0	0	36,54
27	96001-06016-00	BOLT, FLANGE, 6X16	001	0	0	6,01

CRF250R CRF250R6 2006 ED EXTREME RED

F-15-2 EXHAUST MUFFLER (CRF250R6)

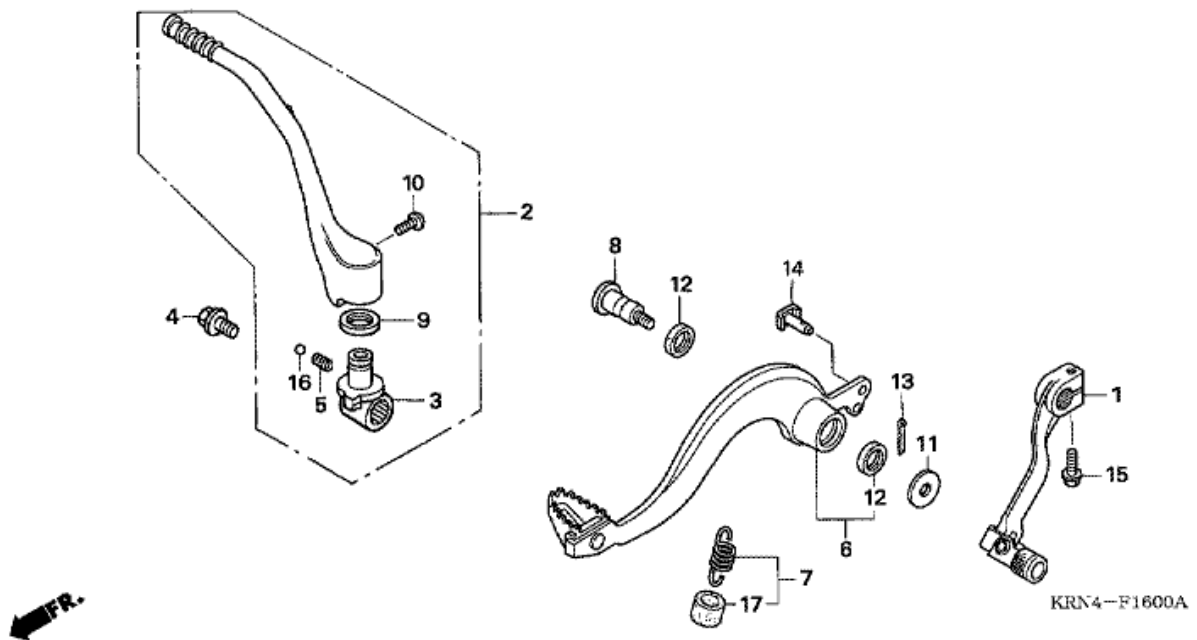


Refnr	Artikelnummer	Beskrivning	Antal	Best. antal	Rep.antal	Pris SEK
1	18291-MM5-860	GASKET, EX. PIPE	001	0	0	19,98
2	18310-KRN-860	MUFFLER COMP., R. (96DB)	001	0	0	7935,76
3	18317-KRN-850	BAND, MUFFLER BODY	008	0	0	28,86
4	18320-KRN-850	PIPE COMP., EX.	001	0	0	2066,27
5	18323-KRN-000	PROTECTOR, EX. PIPE	001	0	0	365,10
6	18324-MEB-670	RIVET, BLIND, 4.8	024	0	0	9,16
7	18327-KRN-730	STAY, EX. PIPE PROTECTOR	002	0	0	33,30
8	18336-KRN-860	WOOL A, GLASS	002	0	0	684,04
9	18337-KRN-850	WOOL B, GLASS	004	0	0	156,70
10	18350-KRN-860	BODY COMP., R. MUFFLER	001	0	0	2052,39
11	18351-KRN-850	MUFFLER COMP., R. FR.	001	0	0	3146,94
12	18352-KRN-860	MUFFLER COMP., R. RR. (96DB)	001	0	0	2052,39
13	18353-KRN-860	BODY COMP., L. MUFFLER	001	0	0	2394,46
14	18354-KRN-850	MUFFLER COMP., L. FR.	001	0	0	1409,24
15	18355-KRN-860	MUFFLER COMP., L. RR. (96DB)	001	0	0	2257,65
16	18374-MG7-701	BAND, L. MUFFLER	001	0	0	153,27
17	18374-MLO-000	BAND, L. EX. PIPE	001	0	0	145,23
18	18374-ML4-003	BAND, L. EX. PIPE	001	0	0	146,98
19	18380-KRN-860	PIPE, COMP., EX. JOINT (96DB)	001	0	0	4027,73
20	18391-ML8-000	PACKING, MUFFLER	001	0	0	73,63
21	18392-HA7-710	PACKING, EX.	001	0	0	194,07
22	18392-MK4-000	PACKING, MUFFLER	001	0	0	54,95
23	18410-KRN-860	MUFFLER COMP., L. (96DB)	001	0	0	6567,50
24	19508-KA3-710	NUT, SPRING, 6MM	002	0	0	23,22
25	19509-MM5-003	CLAMPER, RADIATOR HOSE	002	0	0	32,56
26	90101-KZ3-J50	BOLT, FLANGE, 8X24	002	0	0	27,57
27	90123-MEN-730	BOLT, 8X18	001	0	0	25,90
28	90124-KZ4-J40	BOLT, FLANGE, 8X35	001	0	0	37,46
29	90124-MEB-770	BOLT, FLANGE, 8X32	002	0	0	28,12
30	90170-MEB-670	BOLT, SPECIAL, 6MM	002	0	0	21,18

31	94050-08000	NUT, FLANGE, 8MM	002	0	0	6,75
32	94102-08800	WASHER, PLAIN, 8MM	003	0	0	3,52
33	94103-08000	WASHER, PLAIN, 8MM	002	0	0	2,31

CRF250R CRF250R6 2006 ED EXTREME RED

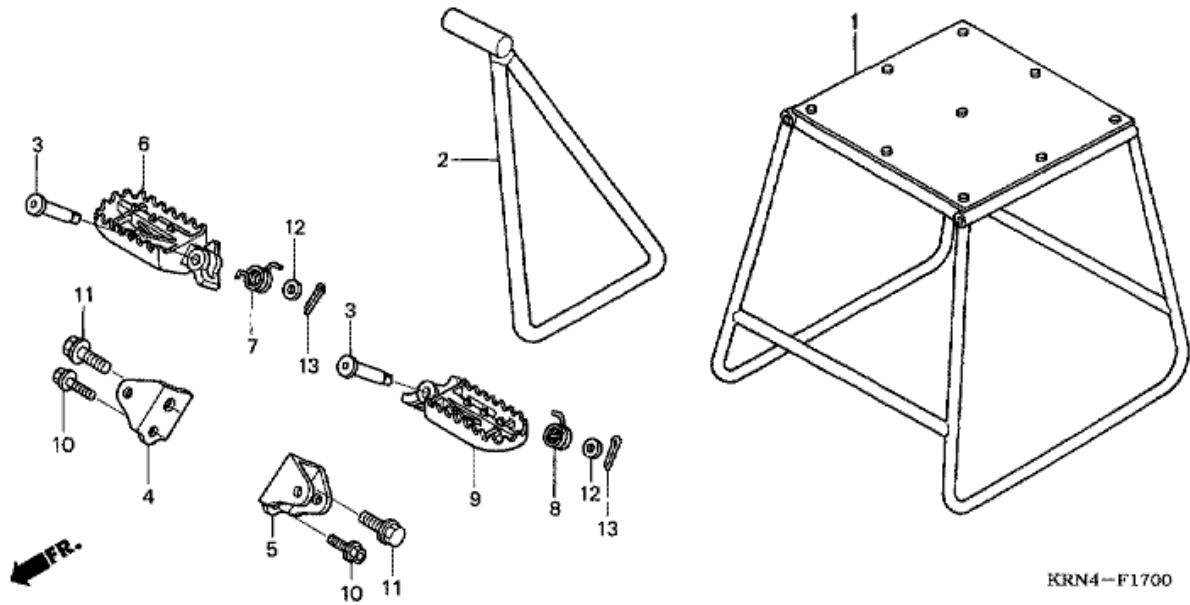
F-16 PEDAL/KICK STARTER ARM



Refnr	Artikelnummer	Beskrivning	Antal	Best. antal	Rep.antal	Pris SEK
1	24700-KRN-000	PEDAL COMP., CHANGE	001	0	0	646,11
2	28300-KRN-000	ARM ASSY., KICK STARTER	001	0	0	1074,11
3	28302-KRN-000	JOINT, KICK ARM	001	0	0	446,68
4	28306-MEN-670	BOLT, KICK JOINT	001	0	0	82,14
5	28333-KK0-000	SPRING, KICK STARTER	001	0	0	15,45
6	46510-KRN-000	PEDAL, RR. BRAKE	001	0	0	786,44
7	46511-KZ4-J00	SPRING ASSY., RR. BRAKE RETURN	001	0	0	38,20
8	46513-KRN-730	SHAFT, BRAKE PIVOT	001	0	0	112,48
9	46525-KK0-003	DUST SEAL, 17X20X2.5	001	0	0	30,06
10	90103-KRN-000	BOLT, KICK ARM	001	0	0	23,40
11	90512-KRN-730	WASHER, 26X10.5	001	0	0	29,79
12	91251-444-000	DUST SEAL, 15X20X2.5	002	0	0	31,45
13	94201-20120	PIN, SPLIT, 2.0X12	001	0	0	1,94
14	95015-54000	PIN D, JOINT	001	0	0	8,23
15	96001-06022-00	BOLT, FLANGE, 6X22	001	0	0	7,49
16	96211-08000	BALL, STEEL, #8 (1/4)	001	0	0	3,33
17	46515-MN1-670	TUBE, BRAKE PEDAL SPRING	001	0	0	18,22

CRF250R CRF250R6 2006 ED EXTREME RED

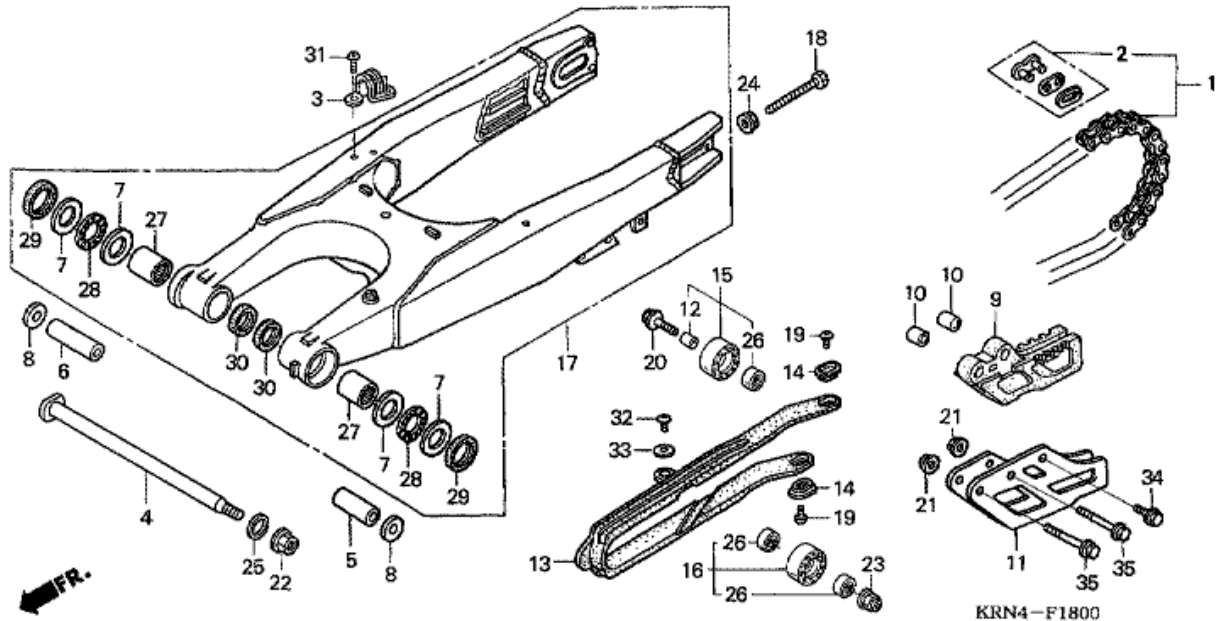
F-17 STAND/STEP



Refnr	Artikelnummer	Beskrivning	Antal	Best. antal	Rep.antal	Pris SEK
1	50500-KA3-820	STAND COMP., MAIN	(1)	0	0	1570,93
2	50530-KZ4-J40	BAR, SIDE STAND	001	0	0	302,48
3	50603-KZ4-J40	PIN, STEP JOINT	002	0	0	29,14
4	50610-MEN-671	BRACKET, R. STEP	001	0	0	132,37
5	50611-MEN-671	BRACKET, L. STEP	001	0	0	132,37
6	50616-MEN-670	ARM, R. STEP	001	0	0	362,97
7	50617-KZ4-J40	SPRING, R. STEP RETURN	001	0	0	20,90
8	50618-KZ4-J40	SPRING, L. STEP RETURN	001	0	0	20,90
9	50642-MEN-670	ARM, L. STEP	001	0	0	362,97
10	90101-KZ3-J50	BOLT, FLANGE, 8X24	002	0	0	27,57
11	90101-KZ4-J40	BOLT, STEP, 12MM	002	0	0	43,11
12	94102-08800	WASHER, PLAIN, 8MM	002	0	0	3,52
13	94201-25150	PIN, SPLIT, 2.5X15	002	0	0	3,98

CRF250R CRF250R6 2006 ED EXTREME RED

F-18 SWINGARM

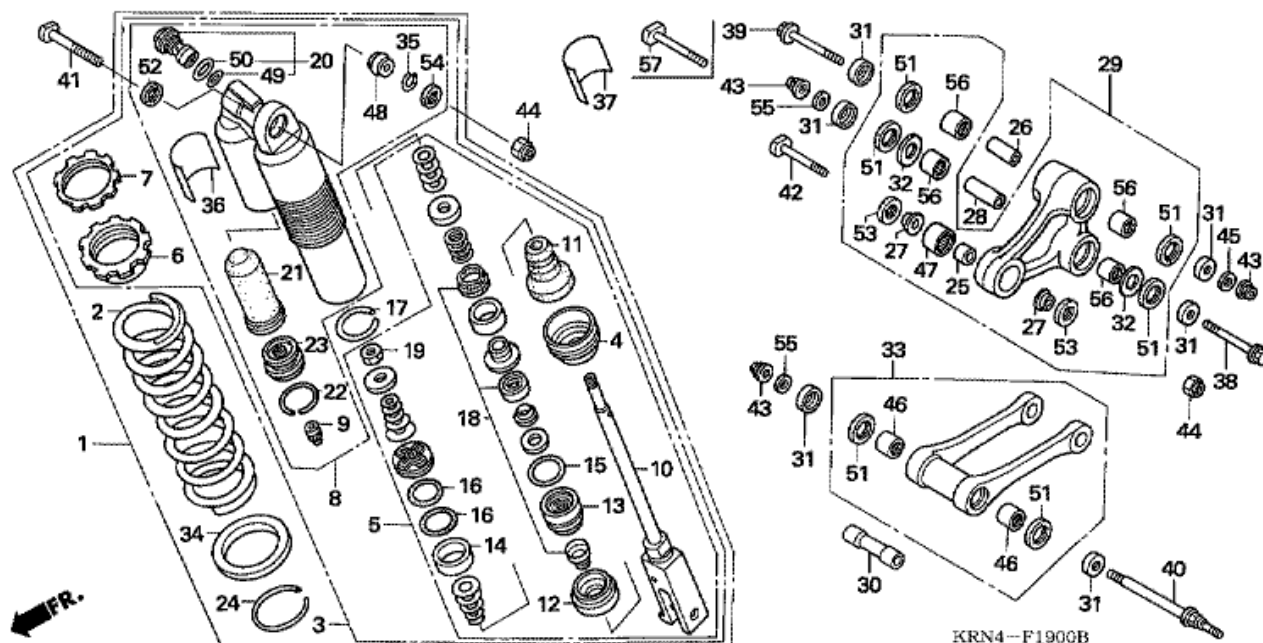


Refnr	Artikelnummer	Beskrivning	Antal	Best. antal	Rep.antal	Pris SEK
1	40530-KZ3-J31	CHAIN, DRIVE (DAIDO) (DID520DMA2-114RB) (STANDARD LINK 114L)	001	0	0	937,67
1	40540-MEN-003	CHAIN, DRIVE (DAIDO) (DID520DMA2-120RB) (STANDARD LINK 114L)	(1)	0	0	1210,09
2	40531-KZ4-J31	JOINT, DRIVE CHAIN (DAIDO)	001	0	0	69,56
3	43468-KZ3-B00	GUIDE, RR. BRAKE HOSE	001	0	0	35,06
4	52101-KZ4-J40	SHAFT, SWINGARM PIVOT	001	0	0	214,79
5	52141-KZ3-J40	COLLAR, SWINGARM, 49MM	001	0	0	107,12
6	52141-KZ4-J40	COLLAR, SWINGARM PIVOT (59MM)	001	0	0	107,12
7	52143-KZ3-860	WASHER, SWINGARM SIDE	004	0	0	20,63
8	52143-KZ4-J40	COLLAR, SWINGARM PIVOT SIDE	002	0	0	26,55
9	52146-KRN-711	GUIDE, CHAIN	001	0	0	214,42
10	52148-MEN-000	COLLAR, CHAIN GUIDE	002	0	0	33,49
11	52147-KRN-710	PLATE, CHAIN GUIDE	001	0	0	315,98
12	52160-MEN-000	COLLAR, CHAIN TENSIONER	001	0	0	25,72
13	52170-KRN-710	SLIDER, CHAIN	001	0	0	498,30
14	52171-KR6-000	WASHER, CHAIN SLIDER	002	0	0	5,74
15	52175-MEN-000	ROLLER, CHAIN (42)	001	0	0	344,75
16	52176-KRN-710	ROLLER COMP., CHAIN LOWER (34MM)	001	0	0	344,75
17	52200-KRN-840	SWINGARM SUB ASSY., RR.	001	0	0	7158,39
18	90105-MEN-000	BOLT, HEX., 8X47.5	002	0	0	38,57
19	90115-KV3-700	SCREW, PAN, 5X8	002	0	0	11,01
20	90124-MEB-770	BOLT, FLANGE, 8X32	001	0	0	28,12
21	90301-473-003	NUT, U, 6MM	002	0	0	25,07
22	90305-KZ3-B01	NUT, U, HEX. 14MM	001	0	0	27,84
23	90301-473-003	NUT, U, 6MM	001	0	0	25,07
24	90309-357-000	NUT, HEX., 8MM	002	0	0	41,35
25	90501-GBL-730	WASHER, 14MM	001	0	0	13,69
26	91011-GCT-003	BEARING, RADIAL BALL, 608UU	003	0	0	187,41
27	91071-MJ0-003	BEARING, NEEDLE, 22X29X30 (NTN)	002	0	0	197,49
28	91072-KZ3-861	BEARING, NEEDLE THRUST	002	0	0	68,91

29	91253-KZ3-861	DUST SEAL, 30X37X4	002	0	0	59,57
30	91283-ML7-003	DUST SEAL, 22X29X4 (ARAI)	002	0	0	59,57
31	93500-05008-0A	SCREW, PAN, 5X8	002	0	0	5,27
32	93500-05008-0G	SCREW, PAN, 5X8	001	0	0	3,52
33	94103-05700	WASHER, PLAIN, 5MM	001	0	0	1,94
34	96001-06012-00	BOLT, FLANGE, 6X12	001	0	0	8,23
35	96001-06050-00	BOLT, FLANGE, 6X50	002	0	0	10,73

CRF250R CRF250R6 2006 ED EXTREME RED

F-19 REAR CUSHION

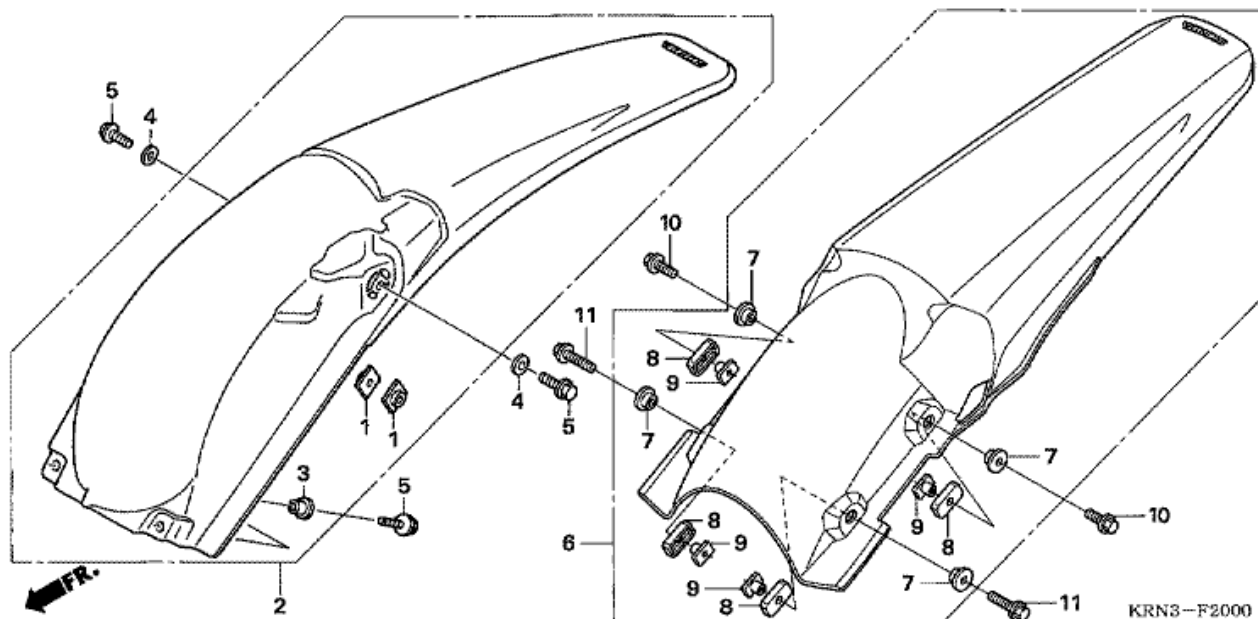


Refnr	Artikelnummer	Beskrivning	Antal	Best. antal	Rep.antal	Pris SEK
1	52400-KRN-851	CUSHION ASSY., RR.	001	0	0	6393,32
2	52402-MEB-751	SPRING, RR. CUSHION (SHOWA) (52N/MM,5.3KGF/MM)	001	0	0	1377,79
2	52401-KZ3-J51	SPRING, RR. CUSHION (SHOWA) (50N/MM,5.1KGF/MM)	(1)	0	0	1345,60
2	52401-MEB-751	SPRING, RR. CUSHION (SHOWA) (54N/MM,5.5KGF/MM)	(1)	0	0	1377,79
2	52403-MEB-751	SPRING, RR. CUSHION (SHOWA) (55N/MM,5.7KGF/MM)	(1)	0	0	1377,79
3	52410-KRN-851	DAMPER COMP., RR.	001	0	0	7482,42
4	52419-KZ3-J21	STOPPER, SPRING SEAT	001	0	0	98,98
5	52421-KRN-851	ROD COMP., PISTON	001	0	0	2997,65
6	52422-KZ3-J31	ADJUSTER, SPRING	001	0	0	152,63
7	52423-KZ3-J21	NUT, ADJUSTER	001	0	0	105,64
8	52425-KRN-731	CASE COMP., DAMPER	001	0	0	3945,31
9	52425-381-771	CAP, AIR VALVE	001	0	0	39,22
10	52426-KRN-711	ROD COMP.	001	0	0	2685,55
11	52427-MEB-751	RUBBER, STOPPER	001	0	0	108,87
12	52428-KRN-711	PLATE, END	001	0	0	114,42
13	52429-KZ3-J41	CASE COMP., ROD GUIDE	001	0	0	98,98
14	52431-KZ3-J31	RING, PISTON	001	0	0	128,11
15	52434-KZ3-J21	O-RING, 3.5X43.7	001	0	0	40,33
16	52434-KZ3-J31	O-RING, 42.5X2.0	002	0	0	38,20
17	52435-KZ3-J21	RING, STOPPER	001	0	0	18,59
18	52436-MEN-671	OIL SEAL SET	001	0	0	189,53
19	52438-KA4-741	NUT, HEX., 12MM	001	0	0	16,10
20	52440-MEN-671	ADJUSTER, COMPRESSION DAMPING FORCE	001	0	0	613,37
21	52451-KRN-711	BLADDER	001	0	0	122,84
22	52452-KS7-831	RING, STOPPER	001	0	0	17,85
23	52453-KRN-711	CAP COMP., CHAMBER	001	0	0	242,35

24	52455-KZ3-J21	RING, STOPPER	001	0	0	44,59
25	52464-KRN-710	COLLAR D, CUSHION ARM	001	0	0	99,71
26	52463-KZ4-J40	COLLAR C, CUSHION ARM	001	0	0	53,84
27	52466-KRN-710	COLLAR D, CUSHION ARM SIDE	002	0	0	39,50
28	52464-KZ4-J20	COLLAR B, CUSHION	001	0	0	60,59
29	52465-KRN-710	ARM SUB ASSY., CUSHION	001	0	0	1520,61
30	52473-KZ4-J20	COLLAR A, CONNECTING ROD	001	0	0	127,56
31	52475-KZ4-J20	COLLAR, LINK SIDE	006	0	0	58,83
32	52476-KZ4-J20	WASHER, THRUST	002	0	0	43,94
33	52479-KRN-840	ROD SUB ASSY., CUSHION CONNECTING	001	0	0	1378,16
34	52486-KZ3-J21	SEAT, SPRING	001	0	0	131,91
35	52487-KA4-831	RING, STOPPER	001	0	0	19,98
36	87516-KZ1-600	LABEL, RR. DAMPER WARNING	001	0	0	40,33
37	87516-KZ1-881	LABEL, RR. DAMPER WARNING (FRENCH)	001	0	0	32,65
38	90131-MEN-840	BOLT, LINK, 12X92	001	0	0	114,89
40	90131-KRN-710	BOLT, LINK, 12X120	001	0	0	147,72
41	90152-MEB-750	BOLT, CUSHION UPPER, 10X53	001	0	0	35,43
42	90153-KZ4-710	BOLT, CUSHION LOWER, 10X43.5	001	0	0	35,80
43	90306-KBP-901	NUT, U, 12MM	003	0	0	35,15
44	90306-KZ4-711	NUT, U, 10MM	002	0	0	19,52
45	90501-KZ4-J40	WASHER, PLAIN, 12MM	001	0	0	25,72
46	91051-KSC-003	BEARING, NEEDLE, 20X26X15	002	0	0	82,79
47	91074-KRN-711	BEARING, NEEDLE, 19X26X13	001	0	0	82,79
48	91074-MAC-741	BEARING, SPHERICAL, 10	001	0	0	169,65
49	91256-KZ3-731	O-RING, 21.5X1.5	001	0	0	15,45
50	91257-KZ3-891	O-RING, 26.2X1.9	001	0	0	21,00
51	91262-KZ3-731	DUST SEAL, 25X32X4	006	0	0	80,01
52	91351-KZ3-731	DUST SEAL, RR. CUSHION PIVOT	001	0	0	29,42
53	91351-KRN-711	DUST SEAL, 17.5X26X3	002	0	0	26,92
54	91351-MAC-671	DUST SEAL, 16X26X3	001	0	0	30,15
55	90501-KRN-710	WASHER, PLAIN, 12MM	002	0	0	32,38
56	91051-KSC-003	BEARING, NEEDLE, 20X26X15	004	0	0	82,79
57	90130-MEN-840	BOLT, LINK, 12X82	001	0	0	126,73

CRF250R CRF250R6 2006 ED EXTREME RED

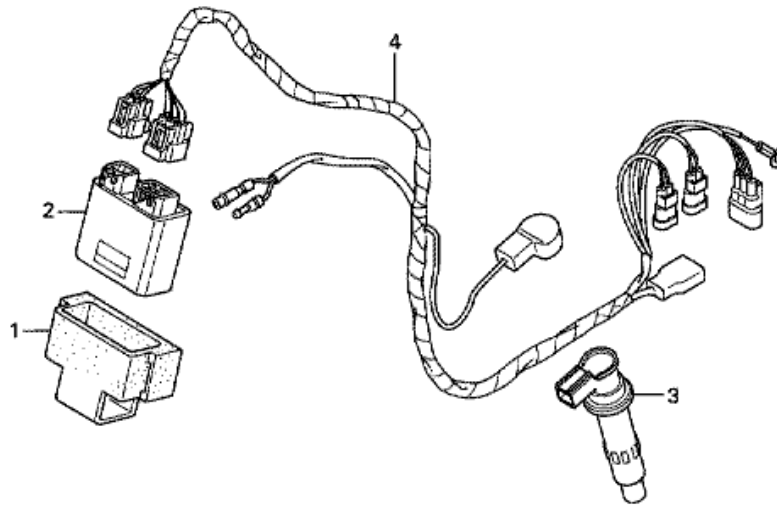
F-20 REAR FENDER



Refnr	Artikelnummer	Beskrivning	Antal	Best. antal	Rep.antal	Pris SEK
6	80101-KRN-850ZA	FENDER SET, RR. (WL) *TYPE1 * (TYPE1)	001	0	0	415,23
7	80111-KRN-850	COLLAR, RR. FENDER	004	0	0	14,52
8	80112-KRN-850	HOLDER, RR. FENDER NUT	004	0	0	16,93
9	90301-KRN-850	NUT, RR. FENDER	004	0	0	23,13
10	96001-06016-00	BOLT, FLANGE, 6X16	002	0	0	6,01
11	96001-06025-00	BOLT, FLANGE, 6X25	002	0	0	7,49

CRF250R CRF250R6 2006 ED EXTREME RED

F-21 WIRE HARNESS



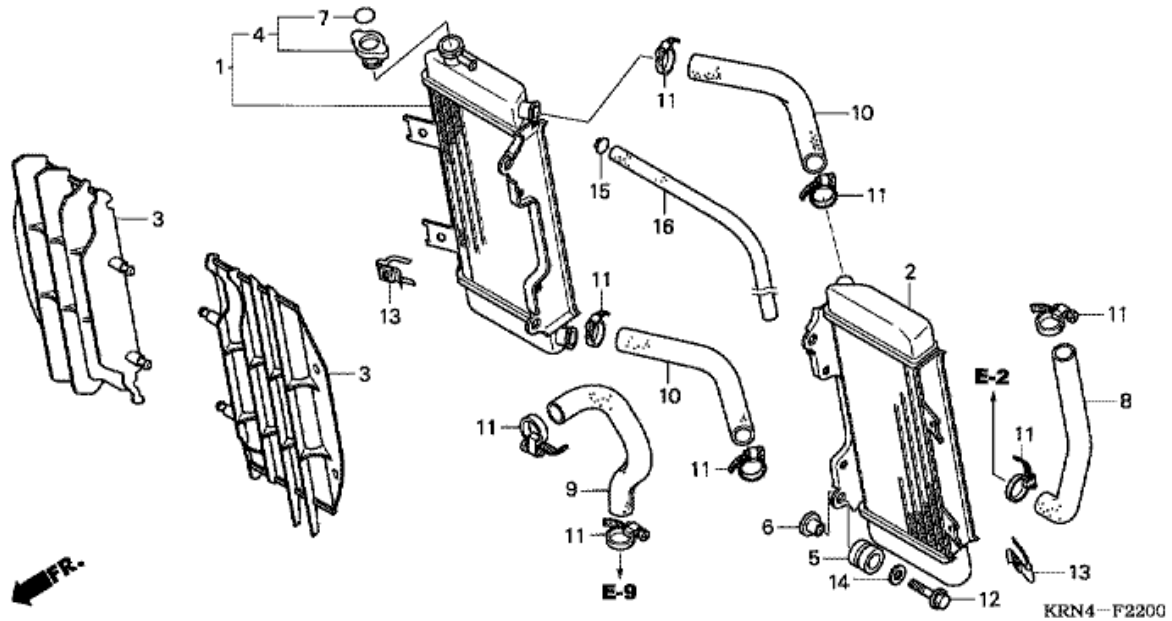
FR.

KRN4-F2100

Refnr	Artikelnummer	Beskrivning	Antal	Best. antal	Rep.antal	Pris SEK
1	30401-KRN-000	CUSHION, C.D.I. UNIT	001	0	0	94,91
2	30410-KRN-861	C.D.I. UNIT	001	0	0	3031,60
3	30700-KRN-670	CAP ASSY., NOISE SUPPRESSOR	001	0	0	603,38
4	32100-KRN-670	HARNESS, WIRE	001	0	0	697,64

CRF250R CRF250R6 2006 ED EXTREME RED

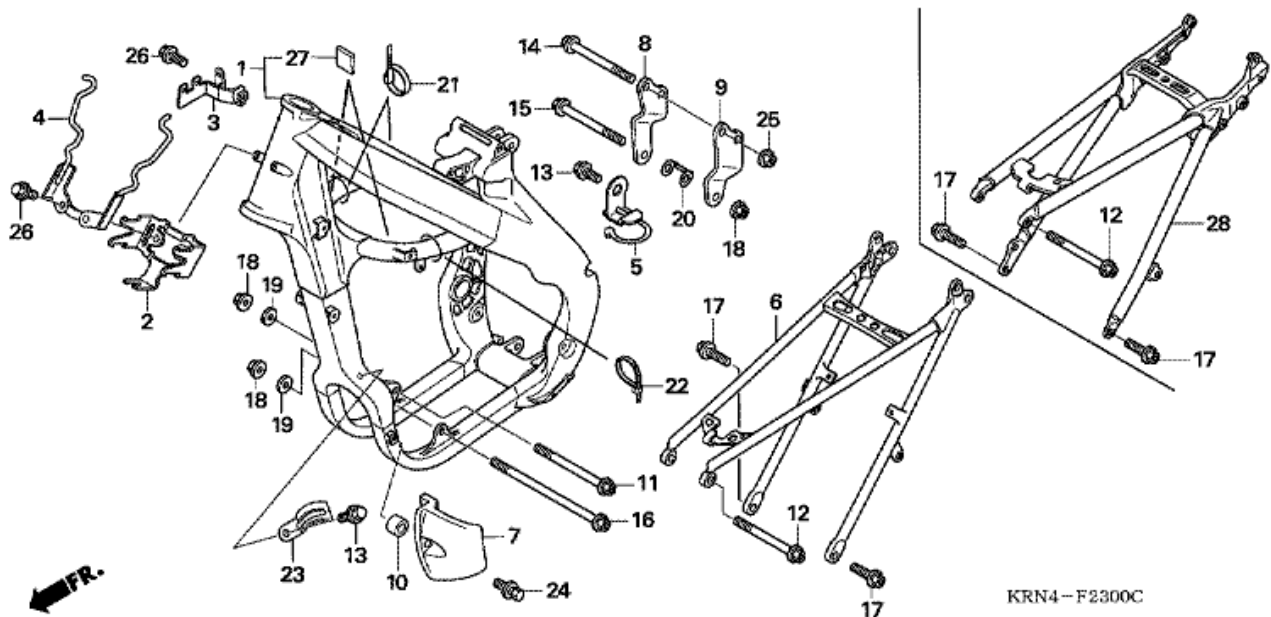
F-22 RADIATOR



Refnr	Artikelnummer	Beskrivning	Antal	Best. antal	Rep.antal	Pris SEK
1	19010-KRN-851	RADIATOR, R.	001	0	0	2400,38
2	19015-KRN-851	RADIATOR, L.	001	0	0	2400,38
3	19033-KRN-850	GRILLE, RADIATOR	002	0	0	282,13
4	19037-KRN-641	CAP COMP., RADIATOR	001	0	0	238,84
5	19051-KRN-000	RUBBER, RADIATOR MOUNTING	004	0	0	23,77
6	19052-MAC-680	COLLAR, RADIATOR MOUNTING	004	0	0	24,05
7	19055-KRN-641	SEAL, RADIATOR CAP (ENGLISH/FRENCH/JAPANESE)	001	0	0	38,48
8	19061-KRN-000	HOSE A, WATER	001	0	0	109,71
9	19062-KRN-000	HOSE B, WATER	001	0	0	79,83
10	19064-KRN-000	HOSE D, WATER	002	0	0	59,85
11	19506-KS6-700	CLAMP B, WATER HOSE	008	0	0	24,42
12	90001-GB4-000	BOLT, FLANGE, 6X23.5	004	0	0	15,91
13	90303-KRN-000	NUT, CLIP, 6MM	002	0	0	20,35
14	90403-KA3-830	WASHER, RADIATOR MOUNTING	004	0	0	8,88
15	95002-02080	CLIP, TUBE (B8)	001	0	0	3,98
16	95003-14073-10	TUBE, VINYL, 6X9X730 (95003-14001-10M)	001	0	0	20,07

CRF250R CRF250R6 2006 ED EXTREME RED

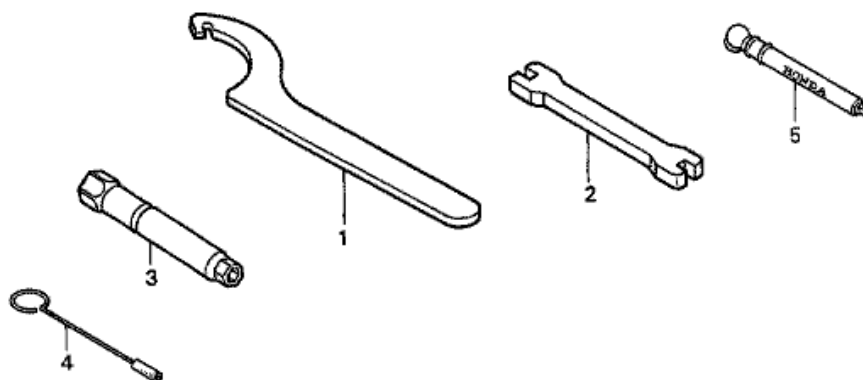
F-23 FRAME BODY



Refnr	Artikelnummer	Beskrivning	Antal	Best. antal	Rep.antal	Pris SEK
1	50010-KRN-851	BODY SET, FRAME	001	0	0	7428,49
2	50124-KRN-000	BRACKET, C.D.I. UNIT	001	0	0	87,04
3	50126-KRN-000	STAY, COUPLER	001	0	0	53,00
4	50128-KRN-000	GUIDE, HARNESS	001	0	0	131,26
5	50197-KRN-000	CLIP, FUEL TUBE	001	0	0	39,13
7	50360-KRN-000	GUARD, L. ENGINE	001	0	0	121,27
8	50407-KRN-850	BRACKET, R. HEAD HANGER	001	0	0	129,41
9	50408-KRN-851	BRACKET, L. HEAD HANGER	001	0	0	129,41
10	52156-353-300	COLLAR, 6X4	001	0	0	32,93
11	90101-KZ3-J20	BOLT, FLANGE, 10X117	001	0	0	42,74
12	90105-KRN-000	BOLT, FLANGE, 8X125	001	0	0	68,08
13	90106-KRN-000	BOLT, FLANGE, 5X12	002	0	0	18,78
14	90107-KRN-000	BOLT, FLANGE, 8X55	002	0	0	30,53
15	90109-KRN-000	BOLT, FLANGE, 10X58	001	0	0	38,57
16	90116-KW3-000	BOLT, FLANGE, 10X138	001	0	0	75,02
17	90122-KRN-000	BOLT, FLANGE, 10X26	002	0	0	30,53
18	90302-KZ3-J40	NUT, FLANGE, 10MM	003	0	0	21,09
19	90410-HC4-000	WASHER, 10MM	002	0	0	7,22
20	90511-KRN-000	WASHER, HEAD HANGER PLATE	001	0	0	55,50
21	90651-KV6-003	BAND, WIRE	002	0	0	28,49
22	90652-KT1-771	BAND, WIRE (BLACK)	001	0	0	14,06
23	91404-KRN-000	CLIP, 2X70	001	0	0	20,90
24	93404-06014-00	BOLT-WASHER, 6X14	001	0	0	5,27
25	94050-08000	NUT, FLANGE, 8MM	002	0	0	6,75
26	96001-06012-00	BOLT, FLANGE, 6X12	003	0	0	8,23
27	50283-MR7-300	RUBBER, SEAT RAIL	002	0	0	18,59
28	50200-KRN-850	BODY COMP., RR. FRAME	001	0	0	2596,20

CRF250R CRF250R6 2006 ED EXTREME RED

F-24 TOOLS

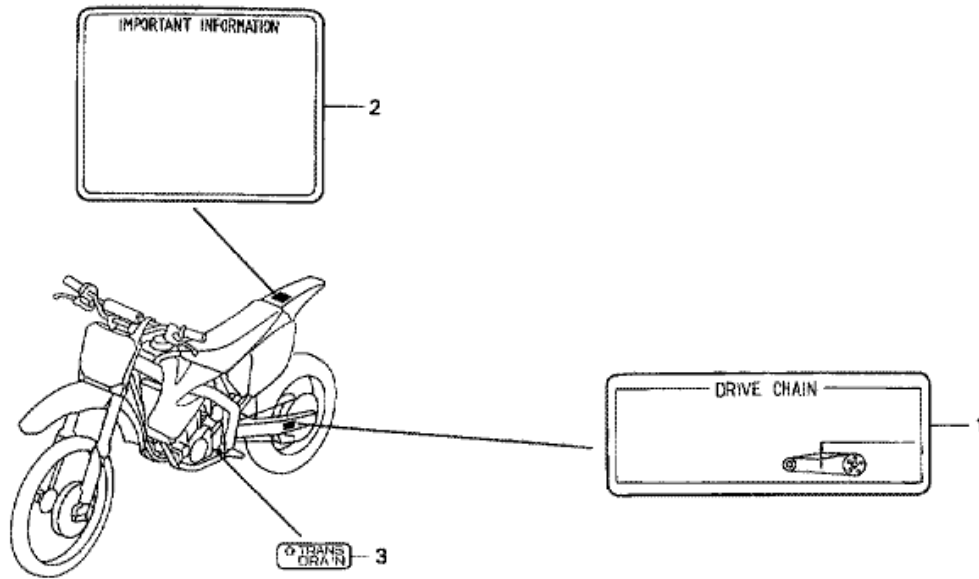


KRN4-F2400

Refnr	Artikelnummer	Beskrivning	Antal	Best. antal	Rep.antal	Pris SEK
1	89201-KS6-810	SPANNER A, PIN	(2)	0	0	383,14
2	89212-KZ4-J40	WRENCH, NIPPLE	001	0	0	70,30
3	89216-MY9-000	WRENCH, PLUG (16MM)	001	0	0	44,59
4	89217-KRN-000	TOOL, CARBURETOR MAINTENANCE	001	0	0	41,35
5	89301-KA4-811	GAUGE, AIR PRESSURE	(1)	0	0	1081,70

CRF250R CRF250R6 2006 ED EXTREME RED

F-25 CAUTION LABEL

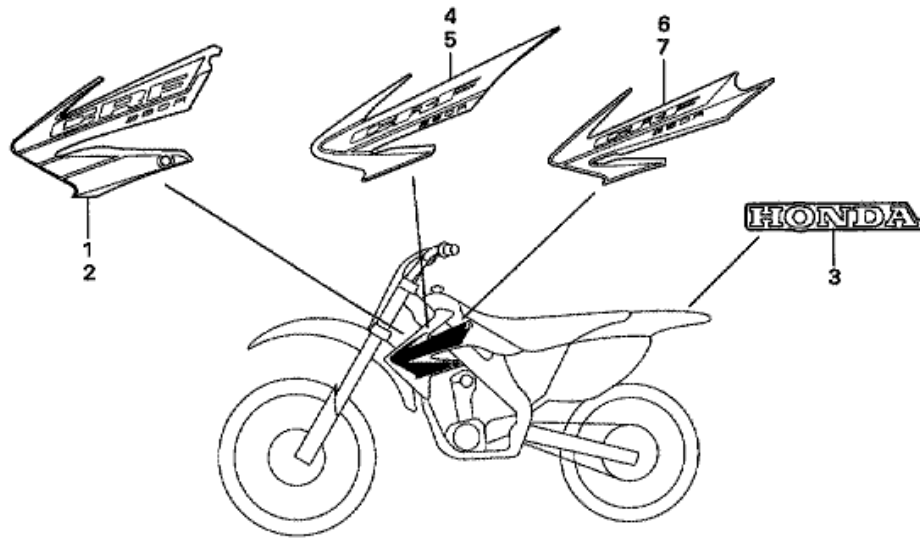


KRN3-F2500

Refnr	Artikelnummer	Beskrivning	Antal	Best. antal	Rep.antal	Pris SEK
1	87507-KZ3-B10	LABEL, DRIVE CHAIN	001	0	0	40,33
1	87507-KZ3-B90	LABEL, DRIVE CHAIN (FRENCH)	001	0	0	40,33
2	87560-GBF-770	MARK, CAUTION	001	0	0	25,99
2	87560-ML3-970	MARK, CAUTION (FRENCH)	001	0	0	39,22
3	87564-KRN-000	LABEL, TRANSMISSION DRAIN	001	0	0	6,66

CRF250R CRF250R6 2006 ED EXTREME RED

F-26 MARK



KRN4-F2600B

Refnr	Artikelnummer	Beskrivning	Antal	Best. antal	Rep.antal	Pris SEK
3	87130-MBN-830ZA	MARK (HONDA) *TYPE1 * (TYPE1)	001	0	0	41,72
6	87126-KRN-850ZA	MARK, R. RADIATOR SHROUD *TYPE1 * (TYPE1)	001	0	0	463,06
7	87127-KRN-850ZA	MARK, L. RADIATOR SHROUD *TYPE1 * (TYPE1)	001	0	0	463,06